

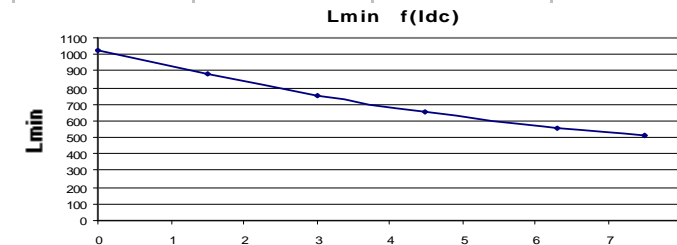
Resistance = 125mΩ max

Frequency kHz	Ripple Current	10%ΔI	20%ΔI	30%ΔI
25	Total losses mW	4370	5160	6510
	ΔT°C	26	30	37
50	Total losses mW	4790	6870	
	ΔT°C	28	25	
75	Total losses mW	5300		
	ΔT°C	31		
100	Total losses mW	5880		
	ΔT°C	34		

Electrical data @ 25°C

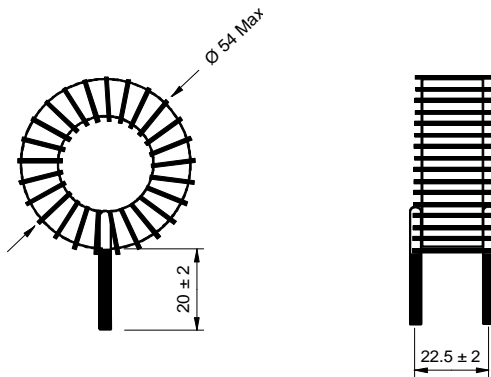
**L f(I<sub>dc</sub>) Inductance Values**

I <sub>dc</sub> (A)	L <sub>min</sub> (µH)
0	1019
1,5	880
3	748
4,5	651
6,3	554
7,5	510

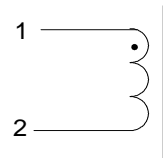


**PN : 26514SNV**

Mechanical dimensions



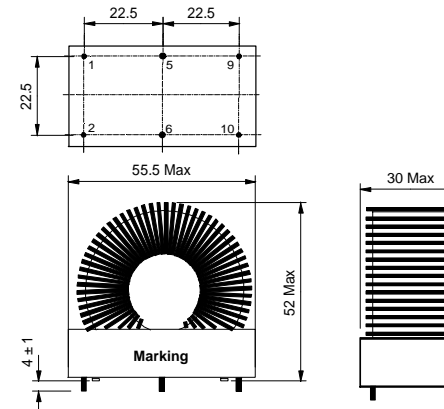
Schematic



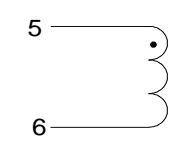
Inductance 1-2  
Implantation in holes : 1,4 mm

**PN : 26514EE**

Mechanical dimensions



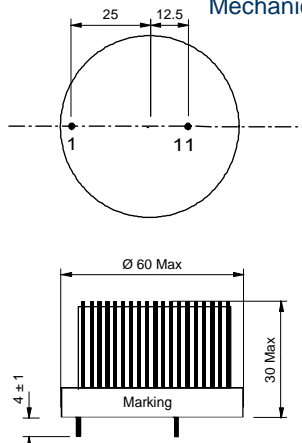
Schematic



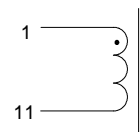
Inductance 4-5  
Blind pins 1-2-9-10  
5-6 Implantation in holes : 1,4 mm  
1-2-9-10 Implantation in holes : 1,3 mm

**PN : 26514BPC**

Mechanical dimensions



Schematic



Inductance 1-11  
Implantation in holes : 1,4 mm