

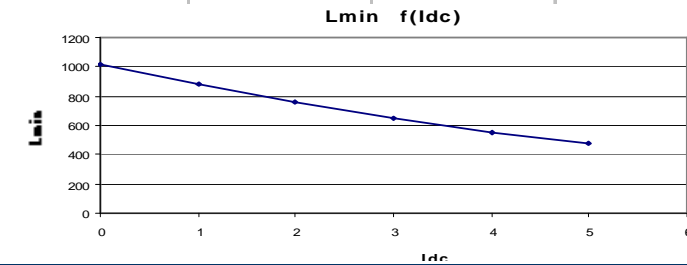
Resistance = 200mΩ max

Frequency kHz	Ripple Current	10%ΔI	20%ΔI	30%ΔI
25	Total losses mW	2630	2940	3460
	ΔT°C	23	25	29
50	Total losses mW	2790	3600	4970
	ΔT°C	24	30	39
75	Total losses mW	2999	4410	
	ΔT°C	26	35	
100	Total losses mW	3220		
	ΔT°C	27		

Electrical data @ 25°C

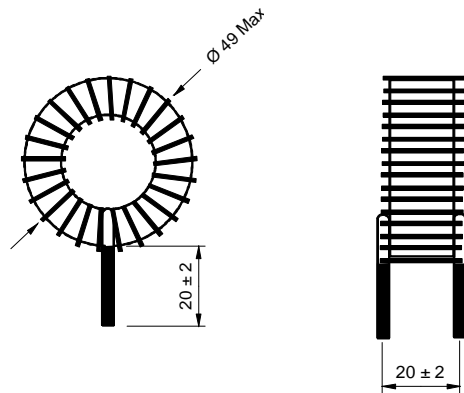
L f(Idc) Inductance Values

Idc (A)	Lmin (μH)
0	1018
1	883
2	456
3	649
4	554
5	480

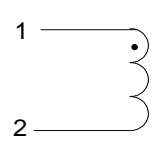


PN : 26512SNV

Mechanical dimensions



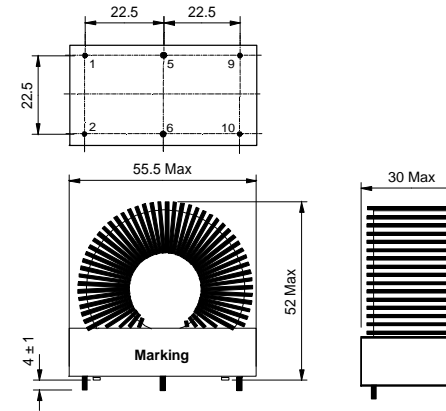
Schematic



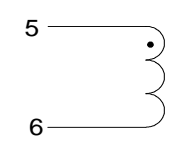
Inductance 1-2
Implantation in holes : 1,2 mm

PN : 26512EE

Mechanical dimensions



Schematic



Inductance 5-6
Blind pins 1-2-9-10
5-6 Implantation in holes : 1,2 mm