

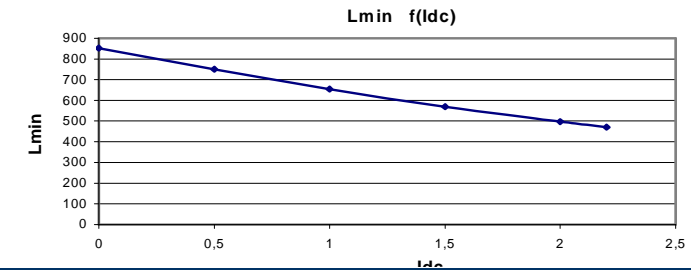
Resistance = 430mΩ max

Frequency kHz	Ripple Current	10%ΔI	20%ΔI	30%ΔI
25	Total losses mW	910	960	1060
	ΔT°C	17	18	20
50	Total losses mW	940	1080	1320
	ΔT°C	18	20	24
75	Total losses mW	970	1220	1640
	ΔT°C	18	22	28
100	Total losses mW	1010	1380	2010
	ΔT°C	19	25	34

Electrical data @ 25°C

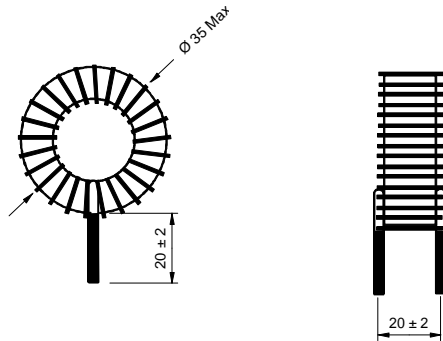
L f(I_{dc}) Inductance Values

I _{dc} (A)	L _{min} (µH)
0	852
0,5	751
1	654
1,5	569
2	497
2,2	471

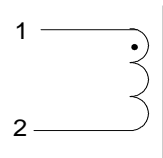


PN : 26508SNV

Mechanical dimensions



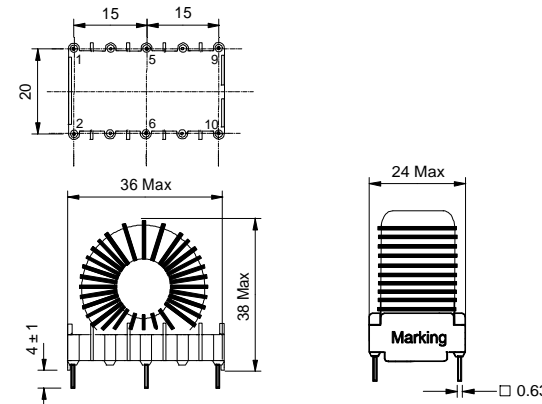
Schematic



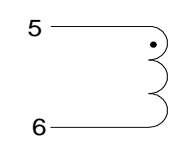
Inductance 1-2
Implantation in holes : 0.8 mm

PN : 26508EE

Mechanical dimensions



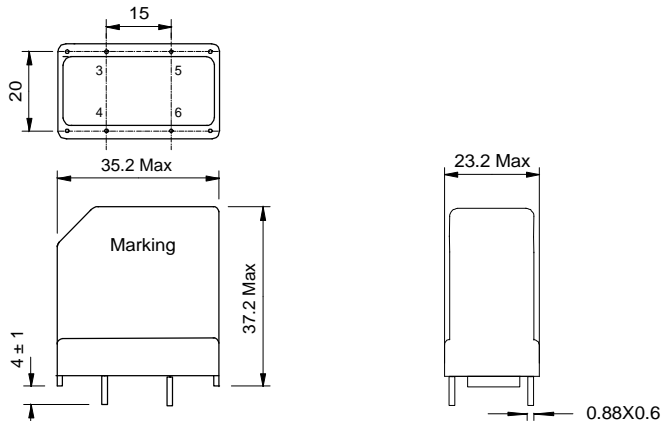
Schematic



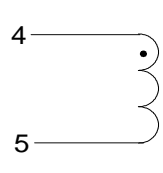
Inductance 5-6
Blind pins 1-2-9-10
Implantation in holes : 1,2 mm

PN : 26508BV

Mechanical dimensions



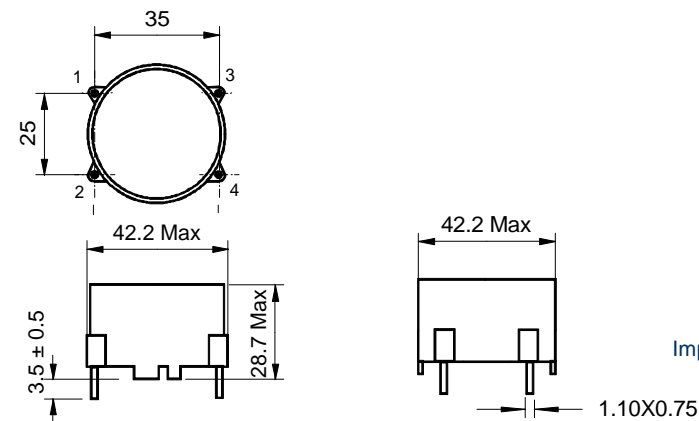
Schematic



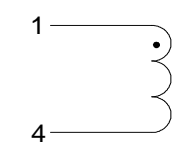
Inductance 4-5
Blind pins 3-6
Implantation in holes : 1,3 mm

PN : 26508BH

Mechanical dimensions



Schematic



Inductance 1-4
Blind pins 2-3
Implantation in holes : 1,5 mm