

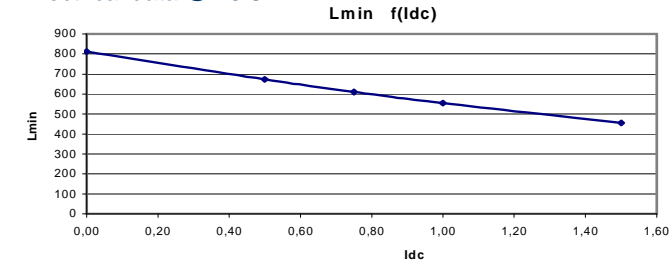
Resistance = 570 mΩ max

Frequency kHz	Ripple Current	10%ΔI	20%ΔI	30%ΔI
25	Total losses mW	480	500	550
	ΔT°C	15	16	17
	Total losses mW	490	560	670
50	ΔT°C	16	18	20
	Total losses mW	510	630	820
75	ΔT°C	16	19	24
	Total losses mW	530	700	990
100	ΔT°C	17	21	28

Electrical data @ 25°C

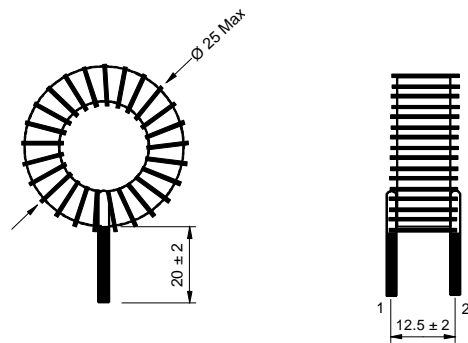
**L f(I<sub>dc</sub>) Inductance Values**

I <sub>dc</sub> (A)	L <sub>min</sub> (µH)
0	812
0,5	673
0,75	610
1	554
1,5	456

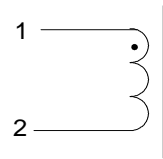


**PN : 26506SNV**

Mechanical dimensions



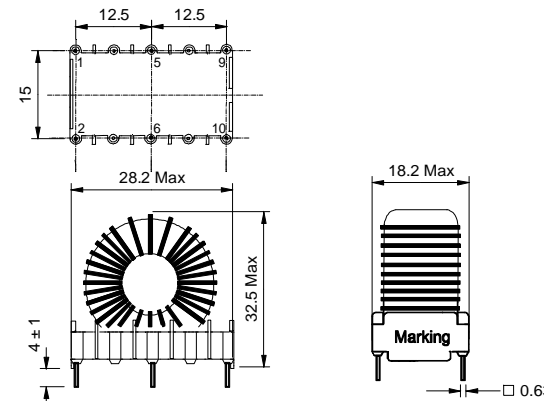
Schematic



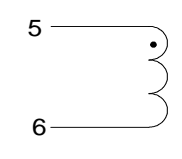
Inductance 1-2  
Implantation in holes : 0,7 mm

**PN : 26506EE**

Mechanical dimensions



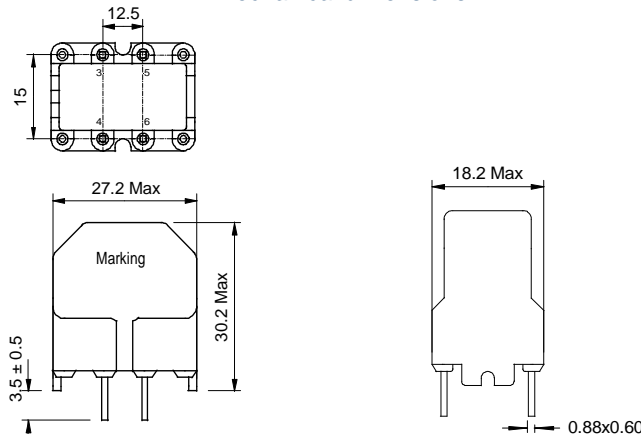
Schematic



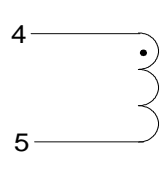
Inductance 5-6  
Blind pins 1-2-9-10  
Implantation in holes : 1,2 mm

**PN : 26506BV**

Mechanical dimensions



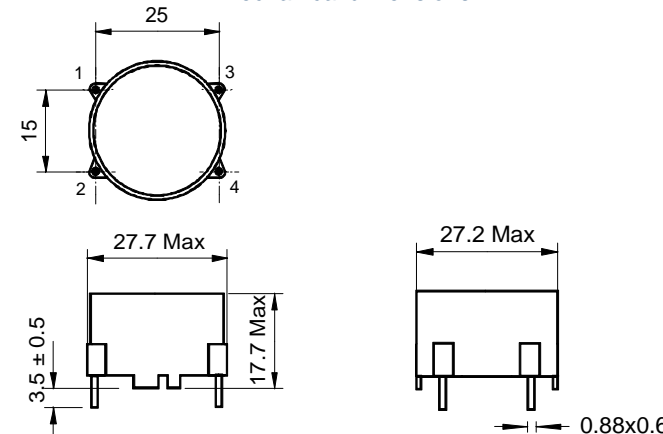
Schematic



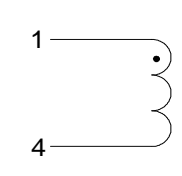
Inductance 4-5  
Blind pins 3-6  
Implantation in holes : 1,3 mm

**PN : 26506BH**

Mechanical dimensions



Schematic



Inductance 1-4  
Blind pins 2-3  
Implantation in holes : 1,3 mm