

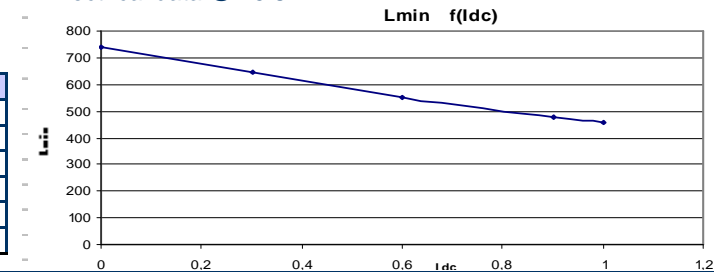
Resistance = 840mΩ max

Frequency kHz	Ripple Current	10%ΔI	20%ΔI	30%ΔI
25	Total losses mW	250	260	280
	ΔT°C	13	13	14
	Total losses mW	260	280	330
50	ΔT°C	13	14	16
	Total losses mW	260	310	380
75	ΔT°C	13	15	18
	Total losses mW	270	340	450
100	ΔT°C	14	16	21

Electrical data @ 25°C

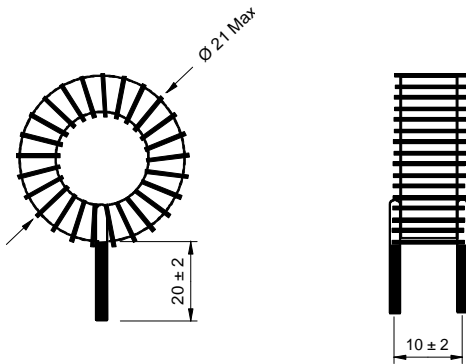
L f(I_{dc}) Inductance Values

I _{dc} (A)	L _{min} (µH)
0	743
0,3	648
0,6	554
0,9	478
1	455

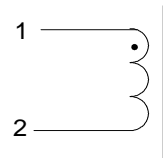


PN : 26504SNV

Mechanical dimensions



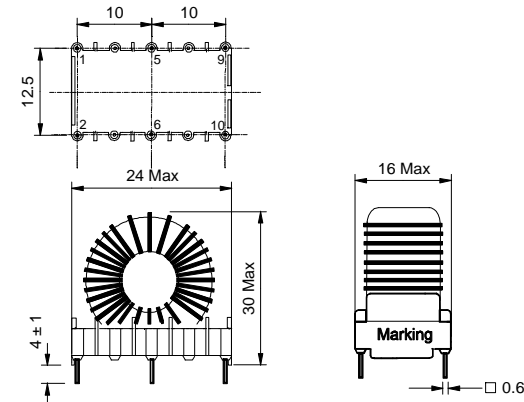
Schematic



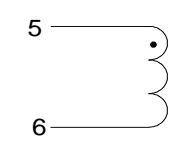
Inductance 1-2
Implantation in holes : 0.6 mm

PN : 26504EE

Mechanical dimensions



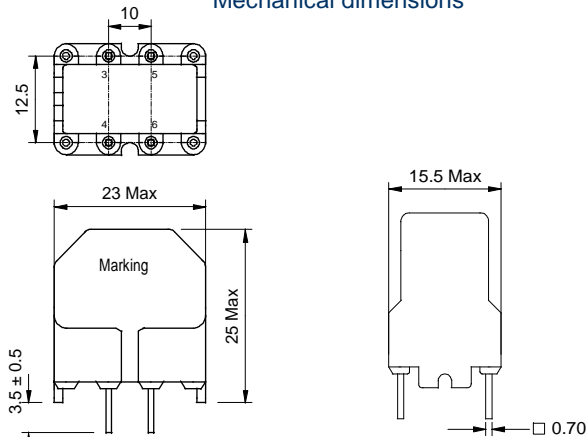
Schematic



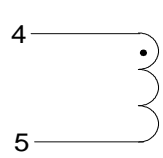
Inductance 5-6
Blind pins 1-2-9-10
Implantation in holes : 1,2 mm

PN : 26504BV

Mechanical dimensions



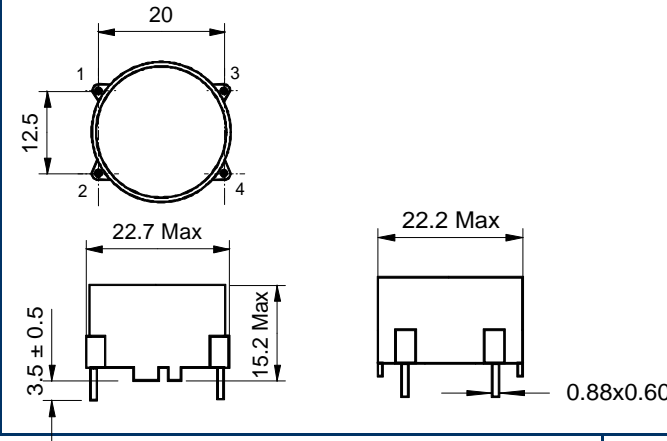
Schematic



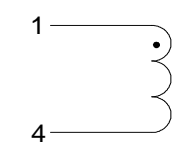
Inductance 4-5
Blind pins 3-6
Implantation in holes : 1,3 mm

PN : 26504BH

Mechanical dimensions



Schematic



Inductance 1-4
Blind pins 2-3
Implantation in holes : 1,3 mm