

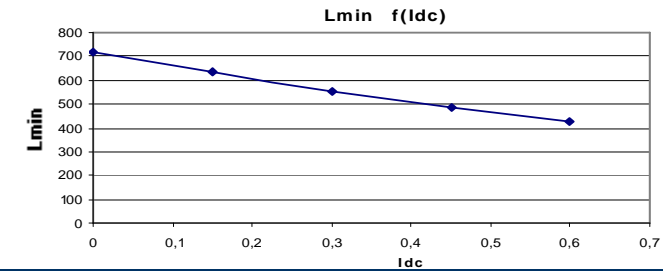
Resistance = 1730 mΩ max

| Frequency kHz | Ripple Current | 10%ΔI | 20%ΔI | 30%ΔI |
|---------------|-----------------|-------|-------|-------|
| 25 | Total losses mW | 130 | 130 | 140 |
| | ΔT°C | 12 | 12 | 13 |
| | Total losses mW | 130 | 140 | 150 |
| 50 | ΔT°C | 12 | 13 | 14 |
| | Total losses mW | 130 | 140 | 160 |
| 75 | ΔT°C | 12 | 13 | 15 |
| | Total losses mW | 140 | 150 | 180 |
| 100 | ΔT°C | 13 | 14 | 16 |

Electrical data @ 25°C

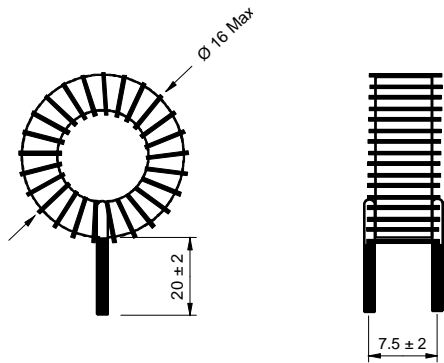
L f(I_{dc}) Inductance Values

| I _{dc} (A) | L _{min} (µH) |
|---------------------|-----------------------|
| 0 | 715 |
| 0,15 | 634 |
| 0,3 | 554 |
| 0,45 | 488 |
| 0,6 | 429 |

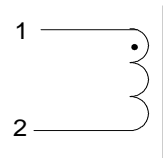


PN : 26502SNV

Mechanical dimensions



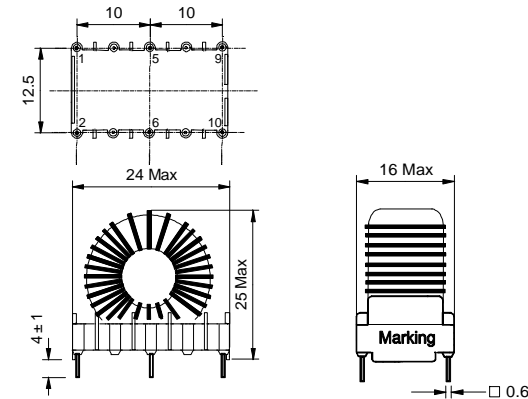
Schematic



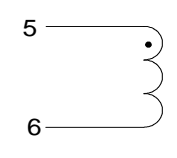
Inductance 1-2
Implantation in holes : 0.5 mm

PN : 26502EE

Mechanical dimensions



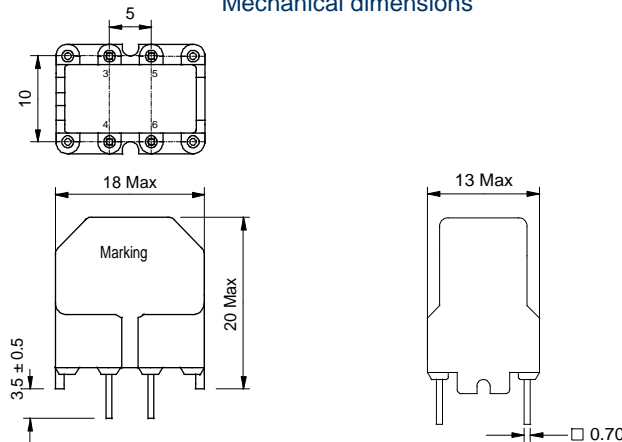
Schematic



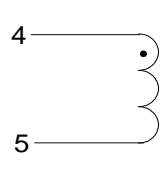
Inductance 5-6
Blind pins 1-2-9-10
Implantation in holes : 1,2 mm

PN : 26502BV

Mechanical dimensions



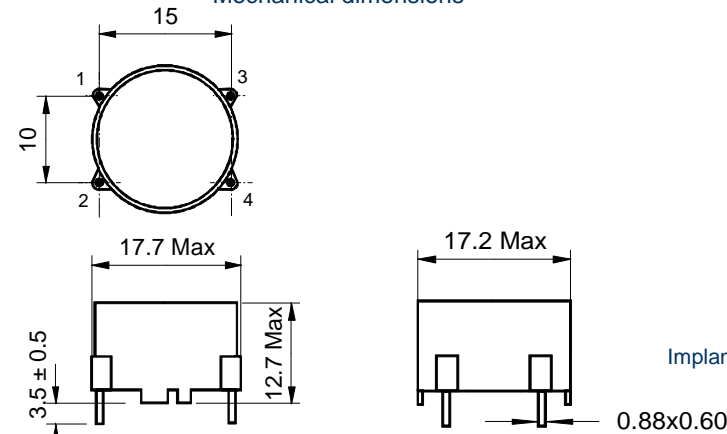
Schematic



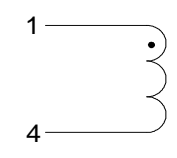
Inductance 4-5
Blind pins 3-6
Implantation in holes : 1,3 mm

PN : 26502BH

Mechanical dimensions



Schematic



Inductance 1-4
Blind pins 2-3
Implantation in holes : 1,3 mm