

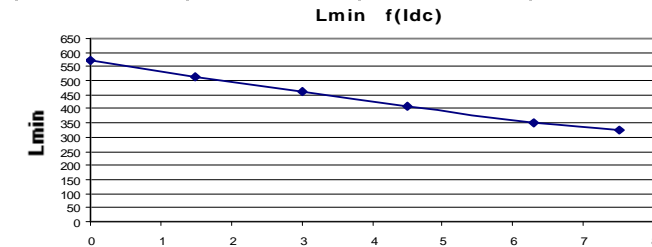
Resistance = 90 m Ω max

Frequency kHz	Ripple Current	10% Δ I	20% Δ I	30% Δ I
25	Total losses mW	3040	3440	4150
	Δ T $^{\circ}$ C	20	22	25
50	Total losses mW	3210	4170	5870
	Δ T $^{\circ}$ C	20	25	34
75	Total losses mW	3400	5010	
	Δ T $^{\circ}$ C	21	30	
100	Total losses mW	3620	5920	
	Δ T $^{\circ}$ C	23	34	

Electrical data @ 25 $^{\circ}$ C

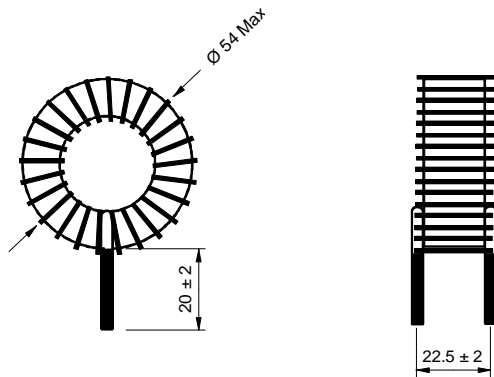
L f(I_{dc}) Inductance Values

I _{dc} (A)	L _{min} (μ H)
0	573
1,5	517
3	460
4,5	410
6,3	325
7,5	326

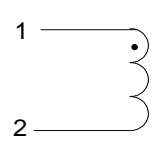


PN : 26464SNV

Mechanical dimensions



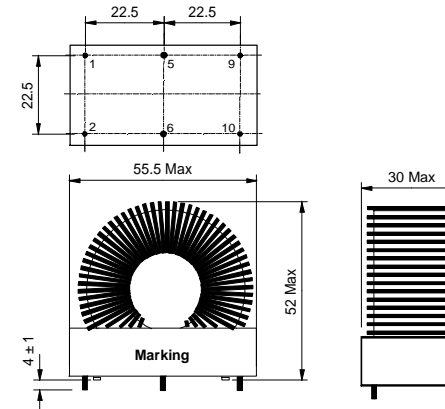
Schematic



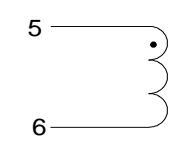
Inductance 1-2
Implantation in holes : 1,4 mm

PN : 26464EE

Mechanical dimensions



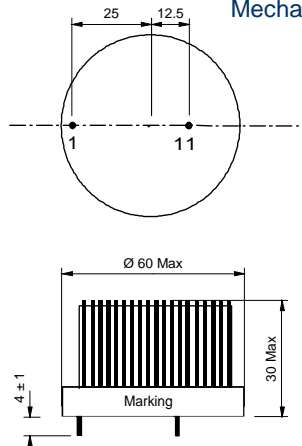
Schematic



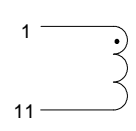
Inductance 4-5
Blind pins 1-2-9-10
5-6 Implantation in holes : 1,4 mm
1-2-9-10 Implantation in holes : 1,2 mm

PN : 26464BPC

Mechanical dimensions



Schematic



Inductance 1-11
Implantation in holes : 1,4 mm