

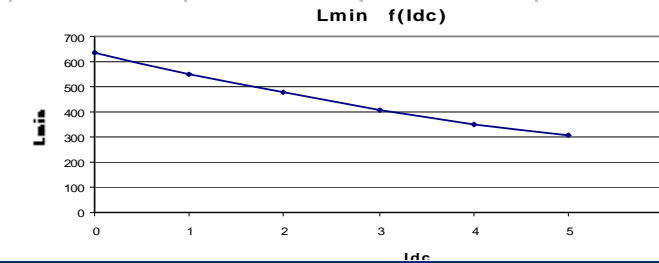
Resistance = 150m $\Omega$  max

Frequency kHz	Ripple Current	10% $\Delta$ I	20% $\Delta$ I	30% $\Delta$ I
25	Total losses mW	1910	2110	2450
	$\Delta T^{\circ}C$	18	19	22
50	Total losses mW	2010	2520	3380
	$\Delta T^{\circ}C$	18	22	28
75	Total losses mW	2140	3020	4510
	$\Delta T^{\circ}C$	19	26	36
100	Total losses mW	2270	3580	
	$\Delta T^{\circ}C$	20	38	

Electrical data @ 25 $^{\circ}C$

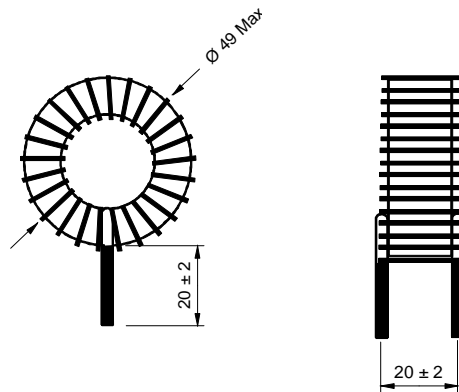
**L f(Idc) Inductance Values**

Idc (A)	Lmin ( $\mu$ H)
0	636
1	553
2	476
3	410
4	352
5	308

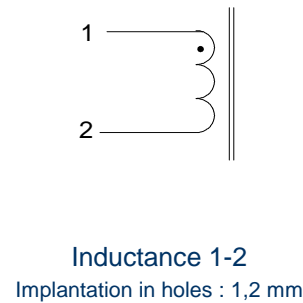


**PN : 26462SNV**

Mechanical dimensions

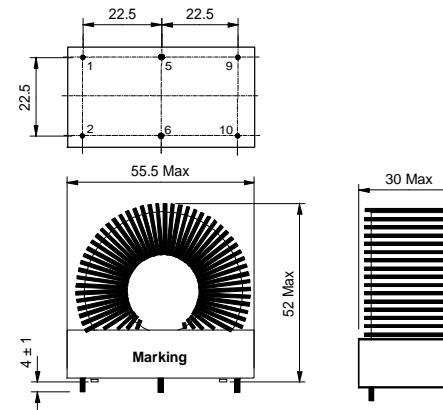


Schematic



**PN : 26462EE**

Mechanical dimensions



Schematic

