

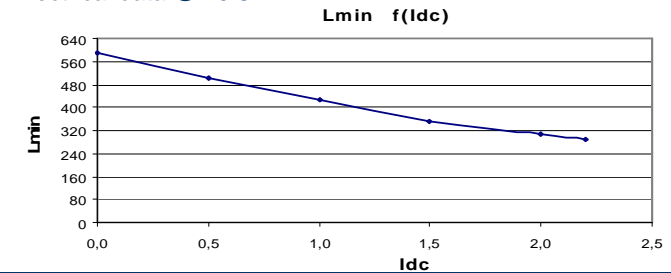
Resistance = 310m Ω max

Frequency kHz	Ripple Current	10% Δ I	20% Δ I	30% Δ I
25	Total losses mW	660	700	760
	Δ T $^{\circ}$ C	20	21	23
50	Total losses mW	680	780	940
	Δ T $^{\circ}$ C	21	23	27
75	Total losses mW	700	870	1160
	Δ T $^{\circ}$ C	21	25	32
100	Total losses mW	730	980	1400
	Δ T $^{\circ}$ C	22	28	38

Electrical data @ 25 $^{\circ}$ C

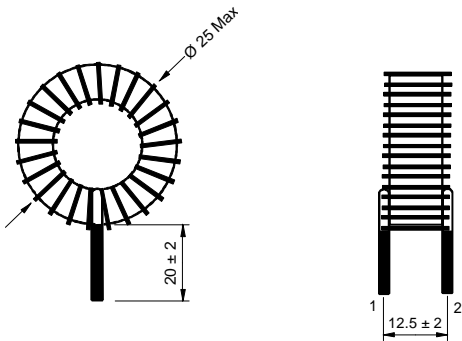
L f(Idc) Inductance Values

Idc (A)	Lmin (μ H)
0	588
0,5	502
1	424
1,5	352
2	306
2,2	288

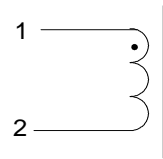


PN : 26458SNV

Mechanical dimensions



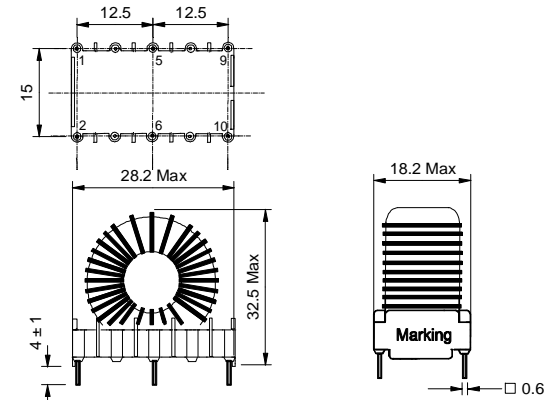
Schematic



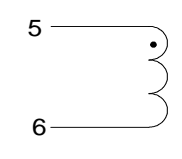
Inductance 1-2
Implantation in holes : 0.8 mm

PN : 26458EE

Mechanical dimensions



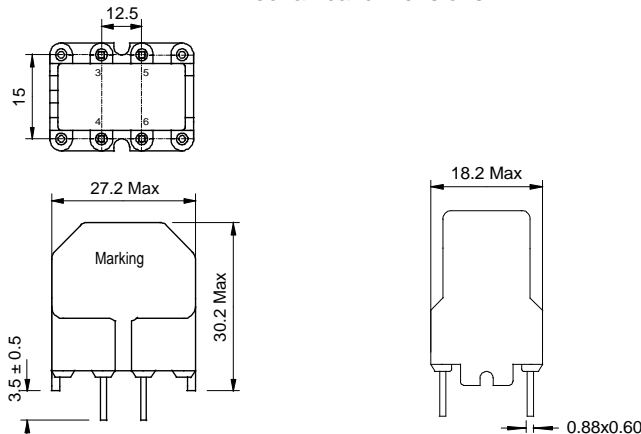
Schematic



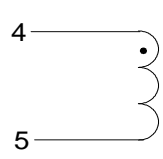
Inductance 5-6
Blind pins 1-2-9-10
Implantation in holes : 1,2 mm

PN : 26458BV

Mechanical dimensions



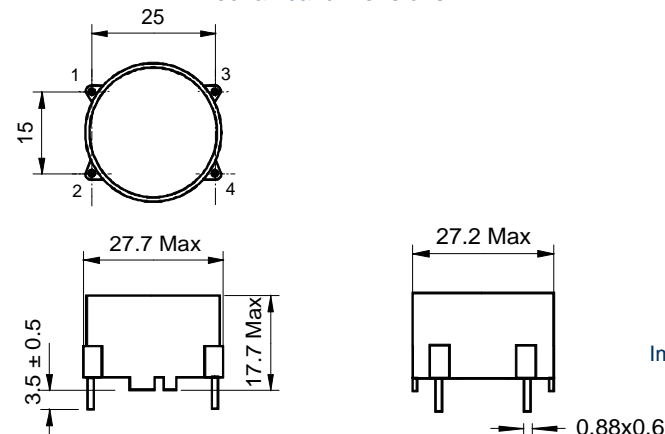
Schematic



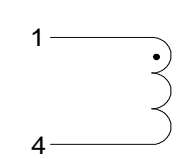
Inductance 4-5
Blind pins 3-6
Implantation in holes : 1,3 mm

PN : 26458BH

Mechanical dimensions



Schematic



Inductance 1-4
Blind pins 2-3
Implantation in holes : 1,3 mm