

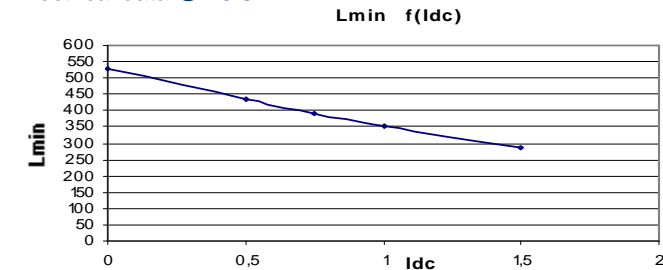
Resistance = 398mΩ max

Frequency kHz	Ripple Current	10%ΔI	20%ΔI	30%ΔI
25	Total losses mW	340	350	380
	ΔT°C	16	17	18
50	Total losses mW	340	380	450
	ΔT°C	16	18	21
75	Total losses mW	350	420	540
	ΔT°C	17	20	24
100	Total losses mW	360	470	640
	ΔT°C	17	21	28

Electrical data @ 25°C

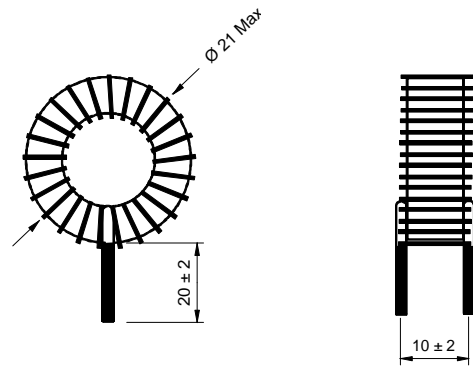
L f(I_{dc}) Inductance Values

I _{dc} (A)	L _{min} (μH)
0	531
0,5	433
0,75	389
1	352
1,5	284

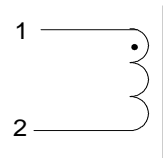


PN : 26456SNV

Mechanical dimensions



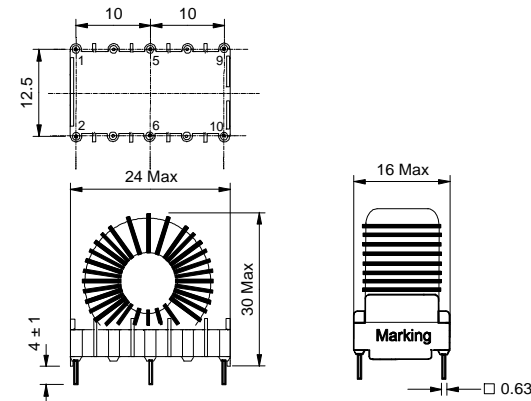
Schematic



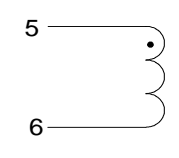
Inductance 1-2
Implantation in holes : 0.7 mm

PN : 26456EE

Mechanical dimensions



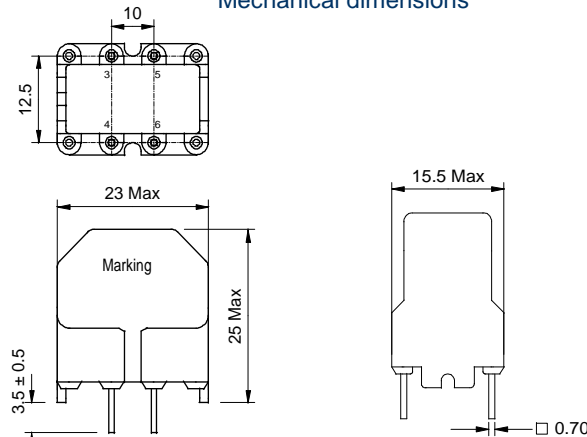
Schematic



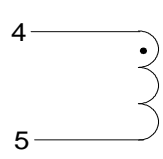
Inductance 5-6
Blind pins 1-2-9-10
Implantation in holes : 1,2 mm

PN : 26456BV

Mechanical dimensions



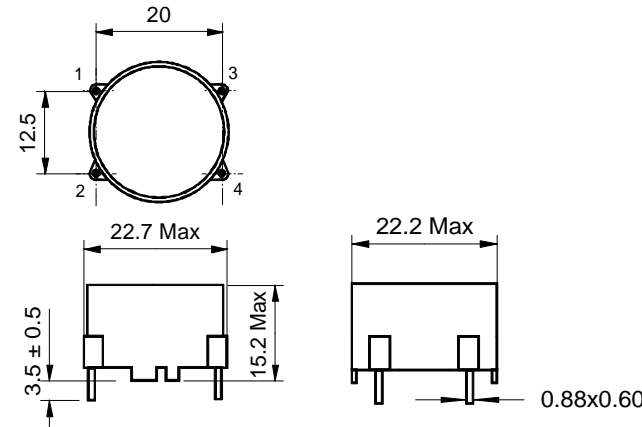
Schematic



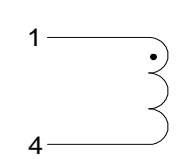
Inductance 4-5
Blind pins 3-6
Implantation in holes : 1,3 mm

PN : 26456BH

Mechanical dimensions



Schematic



Inductance 1-4
Blind pins 2-3
Implantation in holes : 1,3 mm