

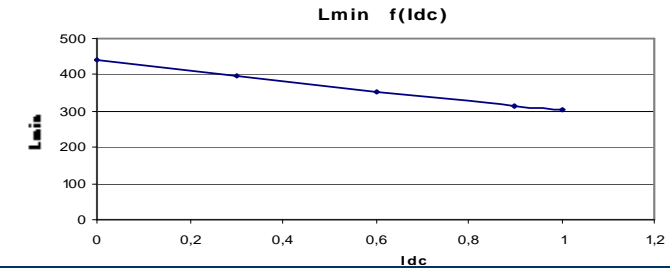
Resistance = 640 mΩ max

Frequency kHz	Ripple Current	10%ΔI	20%ΔI	30%ΔI
25	Total losses mW	190	200	210
	ΔT°C	10	11	11
	Total losses mW	200	210	240
50	ΔT°C	10	11	12
	Total losses mW	200	230	280
75	ΔT°C	11	12	14
	Total losses mW	200	250	320
100	ΔT°C	11	13	16

Electrical data @ 25°C

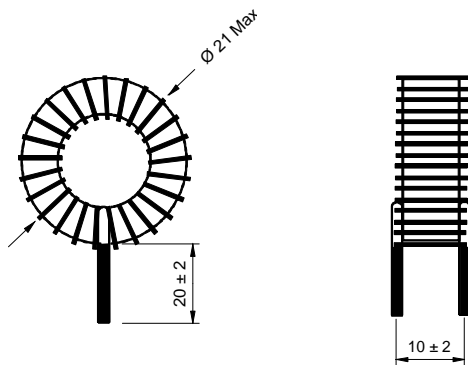
L f(Idc) Inductance Values

Idc (A)	Lmin (µH)
0	442
0,3	396
0,6	352
0,9	313
1	302

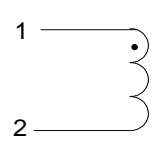


PN : 26454SNV

Mechanical dimensions



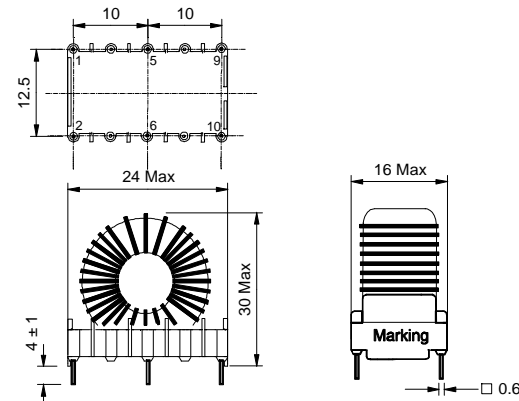
Schematic



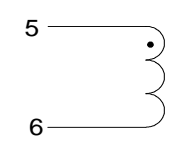
Inductance 1-2
Implantation in holes : 0.6 mm

PN : 26454EE

Mechanical dimensions



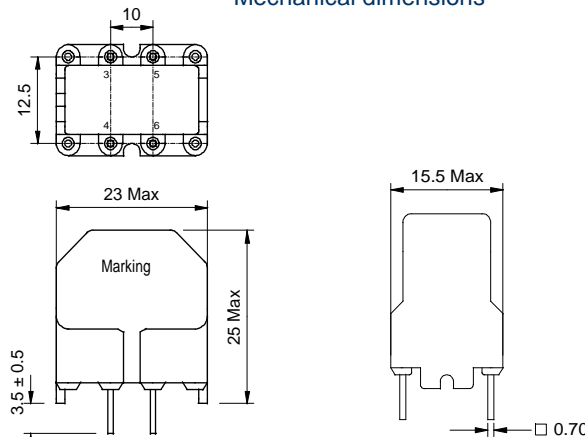
Schematic



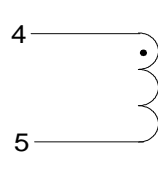
Inductance 5-6
Blind pins 1-2-9-10
Implantation in holes : 1,2 mm

PN : 26454BV

Mechanical dimensions



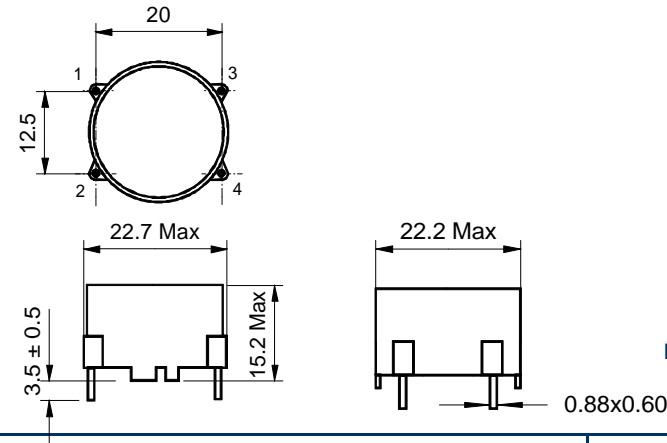
Schematic



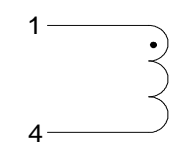
Inductance 4-5
Blind pins 3-6
Implantation in holes : 1,3 mm

PN : 26454BH

Mechanical dimensions



Schematic



Inductance 1-4
Blind pins 2-3
Implantation in holes : 1,3 mm