

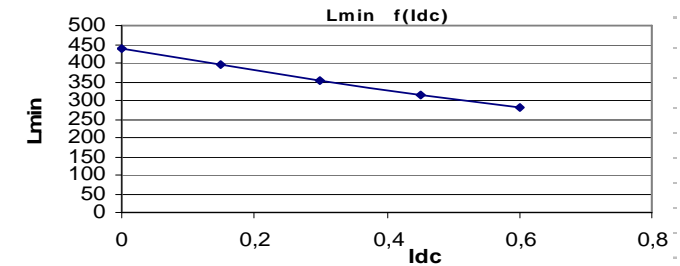
Resistance = 1180m Ω max

Frequency kHz	Ripple Current	10% Δ I	20% Δ I	30% Δ I
		0,03	0,06	0,09
25	Total losses mW	90	90	100
	Δ T $^{\circ}$ C	11	11	12
50	Total losses mW	90	100	100
	Δ T $^{\circ}$ C	11	12	12
75	Total losses mW	90	100	110
	Δ T $^{\circ}$ C	11	12	13
100	Total losses mW	90	100	120
	Δ T $^{\circ}$ C	11	13	15

Electrical data @ 25 $^{\circ}$ C

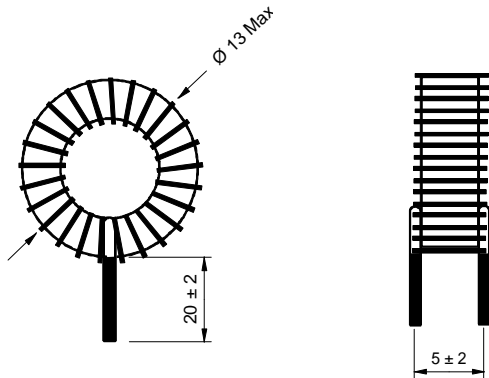
L f(Idc) Inductance Values

Idc (A)	Lmin (μ H)
0	438
0,15	394
0,3	352
0,45	313
0,6	279

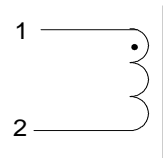


PN : 26452SNV

Mechanical dimensions



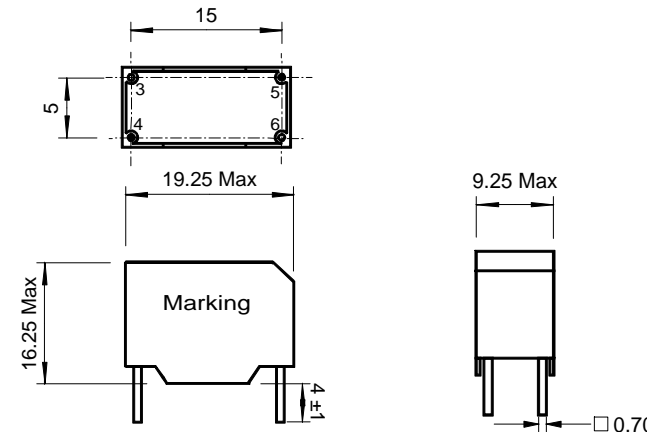
Schematic



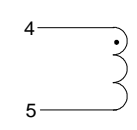
Inductance 1-2
Implantation in holes : 0.5 mm

PN : 26452BV

Mechanical dimensions



Schematic



Inductance 4-5
Blind pins 3-6
Implantation in holes : 1,3 mm