

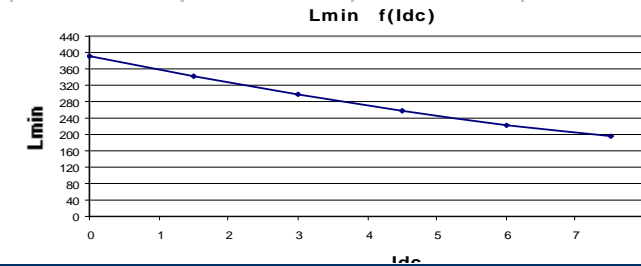
Resistance = 80mΩ max

Frequency kHz	Ripple Current	10%ΔI	20%ΔI	30%ΔI
25	Total losses mW	2610	2920	3450
	ΔT°C	23	25	29
50	Total losses mW	2780	3600	4980
	ΔT°C	24	30	39
75	Total losses mW	2980	4420	
	ΔT°C	25	35	
100	Total losses mW	3210		
	ΔT°C	27		

Electrical data @ 25°C

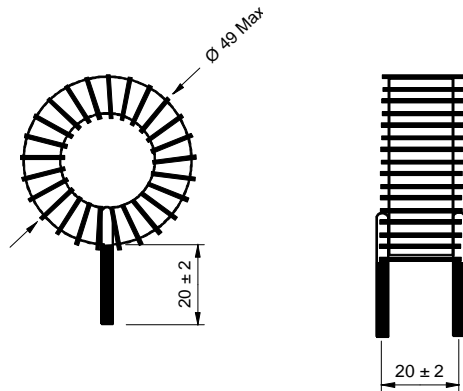
**L f(Idc) Inductance Values**

Idc (A)	Lmin (μH)
0	392
1,5	343
3	297
4,5	258
6	224
7,5	194

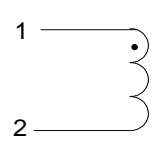


**PN : 26414SNV**

Mechanical dimensions



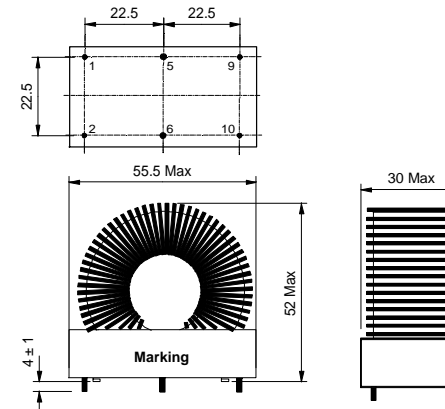
Schematic



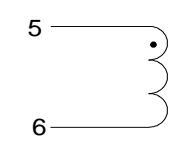
Inductance 1-2  
Implantation in holes : 1,4 mm

**PN : 26414EE**

Mechanical dimensions



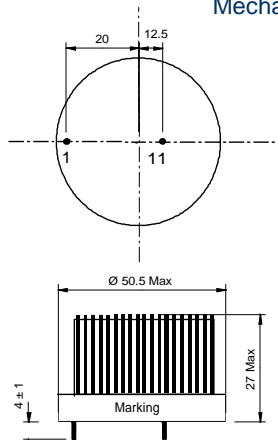
Schematic



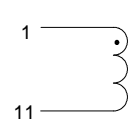
Inductance 4-5  
Blind pins 1-2-9-10  
5-6 Implantation in holes : 1,4 mm  
1-2-9-10 Implantation in holes : 1,2 mm

**PN : 26414BPC**

Mechanical dimensions



Schematic



Inductance 1-11  
Implantation in holes : 1,4 mm