

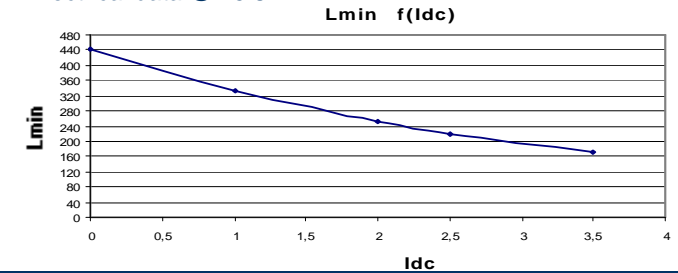
Resistance = 170mΩ max

Frequency kHz	Ripple Current	10%ΔI	20%ΔI	30%ΔI
25	Total losses mW	890	930	1020
	ΔT°C	26	27	29
50	Total losses mW	910	1030	1240
	ΔT°C	26	29	34
75	Total losses mW	940	1150	
	ΔT°C	27	32	
100	Total losses mW	970		
	ΔT°C	28		

Electrical data @ 25°C

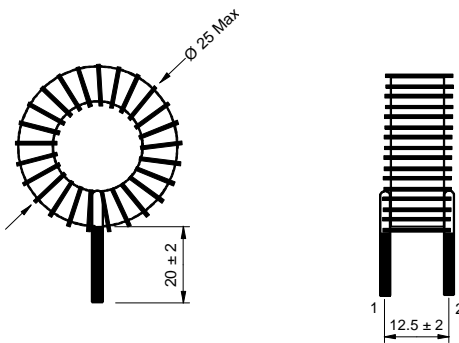
L f(I_{dc}) Inductance Values

I _{dc} (A)	L _{min} (μH)
0	441
1	333
2	250
2,5	218
3,5	169

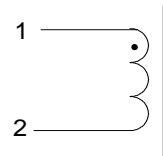


PN : 26410SNV

Mechanical dimensions



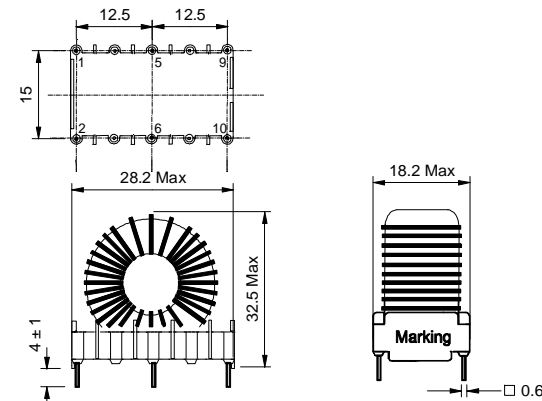
Schematic



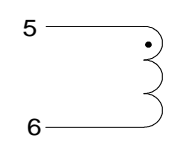
Inductance 1-2
Implantation in holes : 0.9 mm

PN : 26410EE

Mechanical dimensions



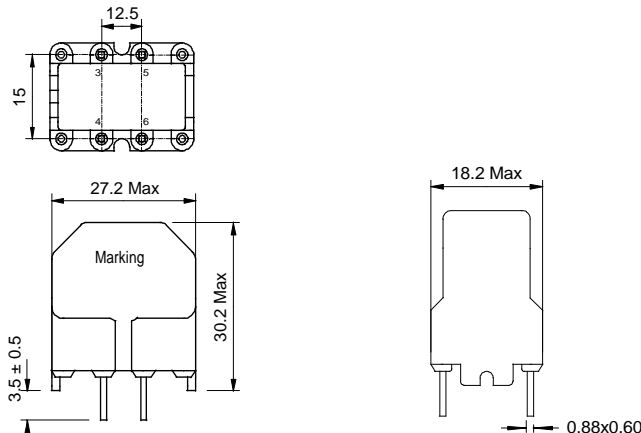
Schematic



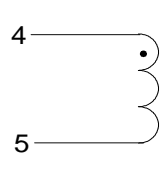
Inductance 5-6
Blind pins 1-2-9-10
Implantation in holes : 1,2 mm

PN : 26410BV

Mechanical dimensions



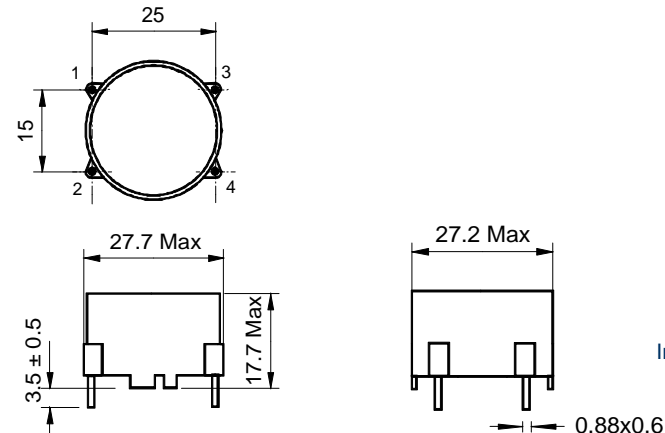
Schematic



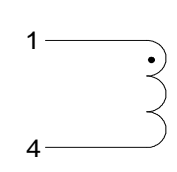
Inductance 4-5
Blind pins 3-6
Implantation in holes : 1,3 mm

PN : 26410BH

Mechanical dimensions



Schematic



Inductance 1-4
Blind pins 2-3
Implantation in holes : 1,3 mm