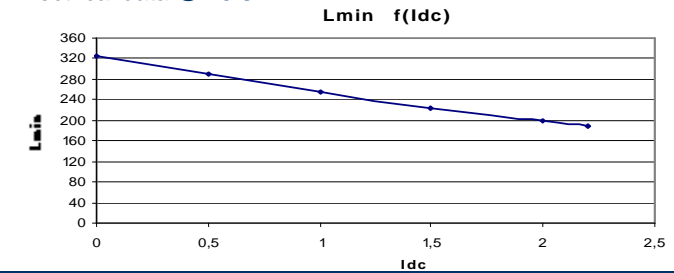


Frequency kHz	Ripple Current	10% Δ I	20% Δ I	30% Δ I
		0,16	0,32	0,48
25	Total losses mW	490	520	560
	Δ T $^{\circ}$ C	16	17	18
50	Total losses mW	500	560	690
	Δ T $^{\circ}$ C	16	18	21
75	Total losses mW	520	640	840
	Δ T $^{\circ}$ C	17	20	25
100	Total losses mW	540	710	1010
	Δ T $^{\circ}$ C	17	21	29

Electrical data @ 25 $^{\circ}$ C

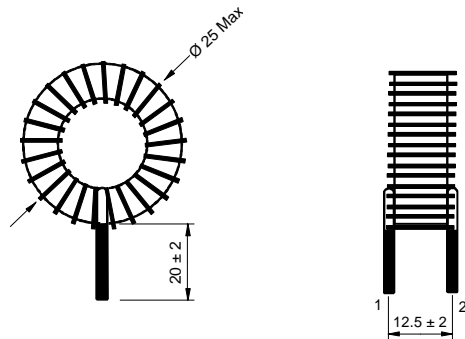
L f(I_{dc}) Inductance Values

I _{dc} (A)	L _{min} (μ H)
0	324
0,5	289
1	255
1,5	225
2	199
2,2	190

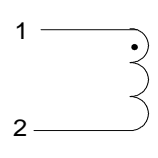


PN : 26408SNV

Mechanical dimensions



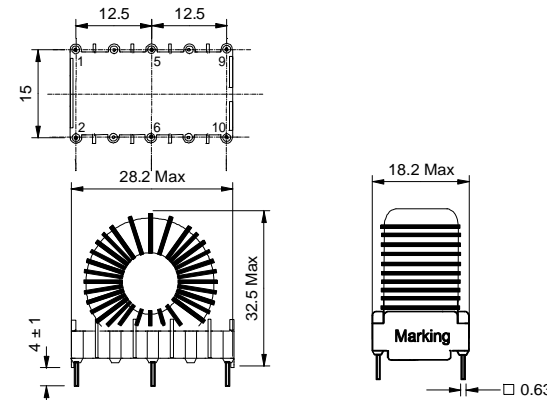
Schematic



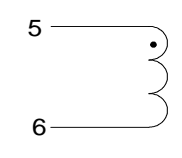
Inductance 1-2
Implantation in holes : 0.8 mm

PN : 26408EE

Mechanical dimensions



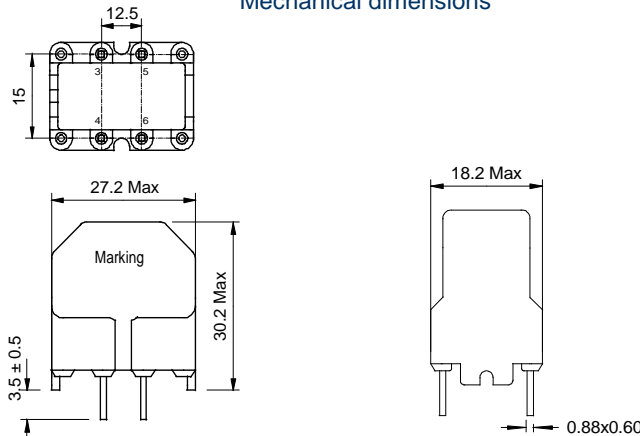
Schematic



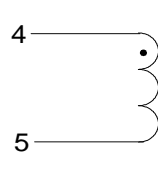
Inductance 5-6
Blind pins 1-2-9-10
Implantation in holes : 1,2 mm

PN : 26408BV

Mechanical dimensions



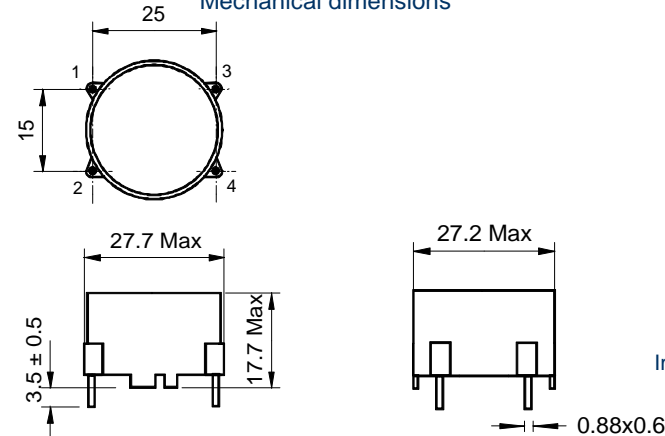
Schematic



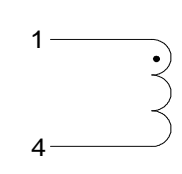
Inductance 4-5
Blind pins 3-6
Implantation in holes : 1,3 mm

PN : 26408BH

Mechanical dimensions



Schematic



Inductance 1-4
Blind pins 2-3
Implantation in holes : 1,3 mm