

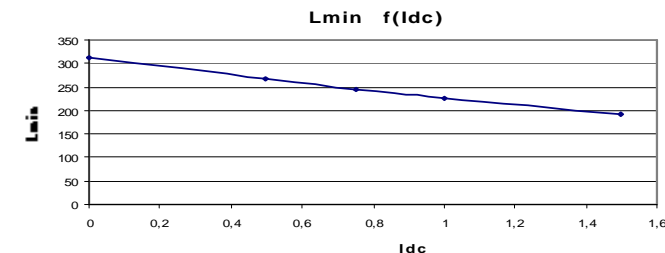
Resistance = 310 mΩ max

Frequency kHz	Ripple Current	10%ΔI	20%ΔI	30%ΔI
25	Total losses mW	250	260	280
	ΔT°C	13	13	14
50	Total losses mW	270	290	330
	ΔT°C	14	15	18
100	Total losses mW	270	340	460
	ΔT°C	14	17	21

Electrical data @ 25°C

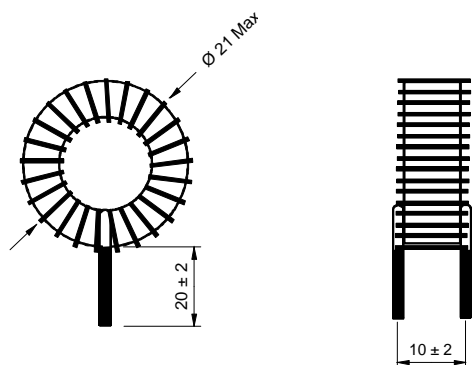
**L f(Idc) Inductance Values**

Idc (A)	Lmin (µH)
0	311
0,5	266
0,75	246
1	226
1,5	192

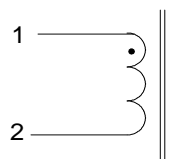


**PN : 26406SNV**

Mechanical dimensions



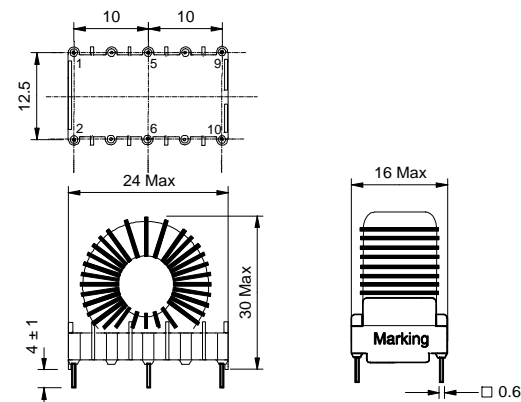
Schematic



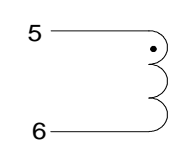
Inductance 1-2  
Implantation in holes : 0.7 mm

**PN : 26406EE**

Mechanical dimensions



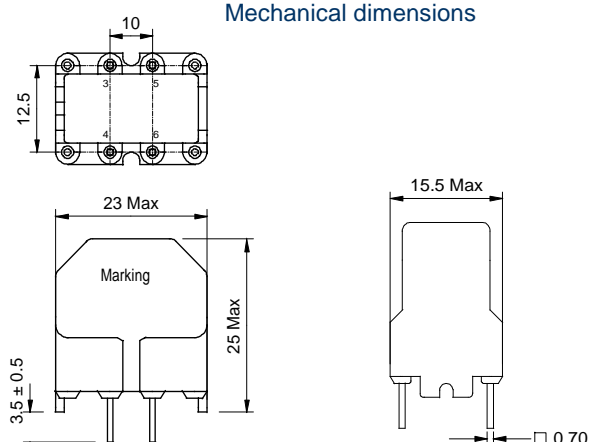
Schematic



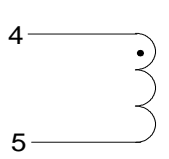
Inductance 5-6  
Blind pins 1-2-9-10  
Implantation in holes : 1,2 mm

**PN : 26406BV**

Mechanical dimensions



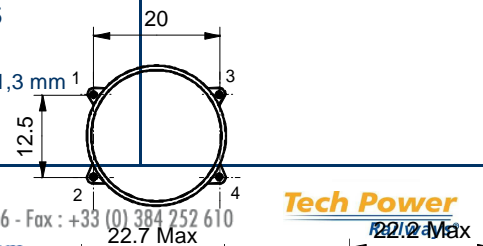
Schematic



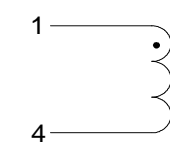
Inductance 4-5  
Blind pins 3-6  
Implantation in holes : 1,3 mm

**PN : 26406BH**

Mechanical dimensions



Schematic



Inductance 1-4  
Blind pins 2-3  
Implantation in holes : 1,3 mm

