

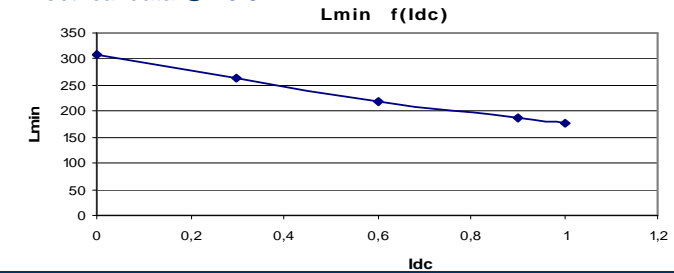
Resistance = 500mΩ max

Frequency kHz	Ripple Current	10%ΔI	20%ΔI	30%ΔI
25	Total losses mW	150	150	160
	ΔT°C	14	14	15
50	Total losses mW	150	160	180
	ΔT°C	14	15	16
75	Total losses mW	160	170	200
	ΔT°C	15	15	17
100	Total losses mW	160	170	200
	ΔT°C	15	16	19

Electrical data @ 25°C

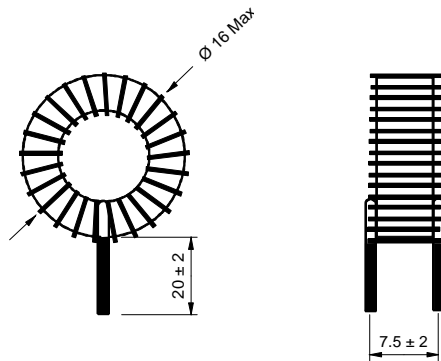
L f(I_{dc}) Inductance Values

I _{dc} (A)	L _{min} (μH)
0	308
0,3	262
0,6	220
0,9	186
1	176

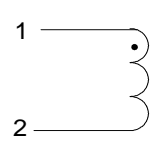


PN : 26404SNV

Mechanical dimensions



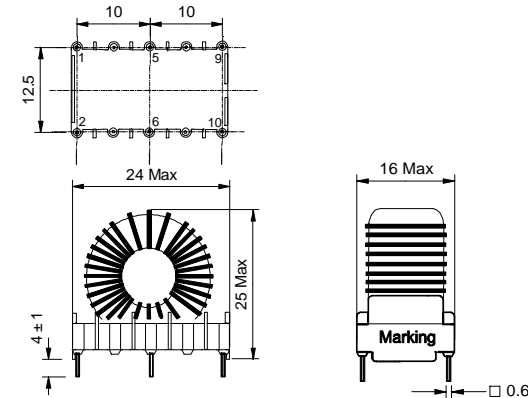
Schematic



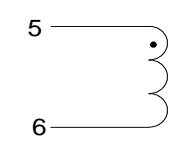
Inductance 1-2
Implantation in holes : 0.6 mm

PN : 26404EE

Mechanical dimensions



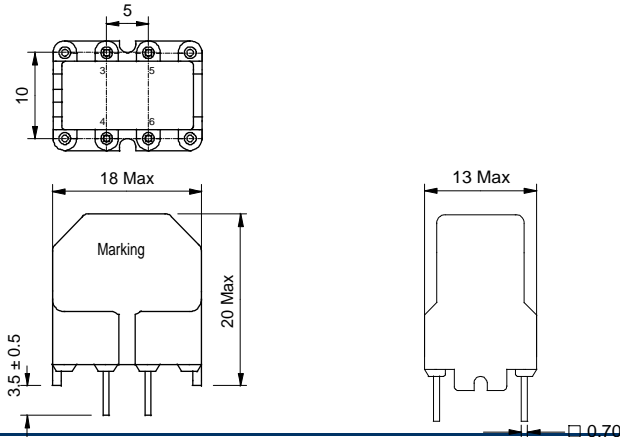
Schematic



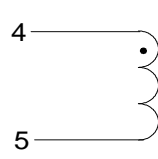
Inductance 5-6
Blind pins 1-2-9-10
Implantation in holes : 1,2 mm

PN : 26404BV

Mechanical dimensions



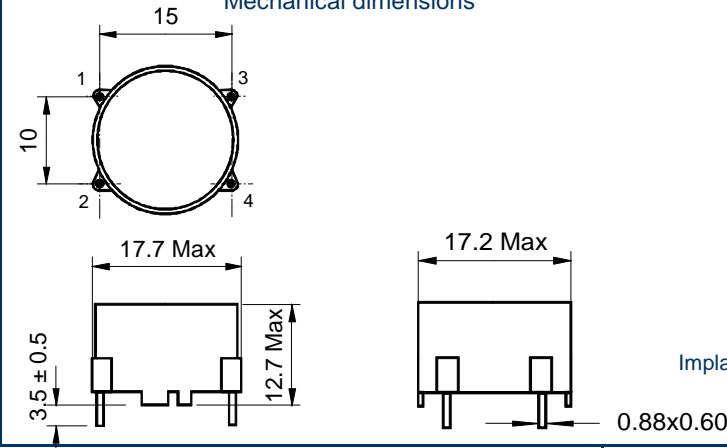
Schematic



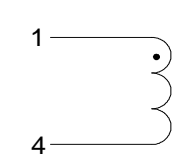
Inductance 4-5
Blind pins 3-6
Implantation in holes : 1,3 mm

PN : 26404BH

Mechanical dimensions



Schematic



Inductance 1-4
Blind pins 2-3
Implantation in holes : 1,3 mm