

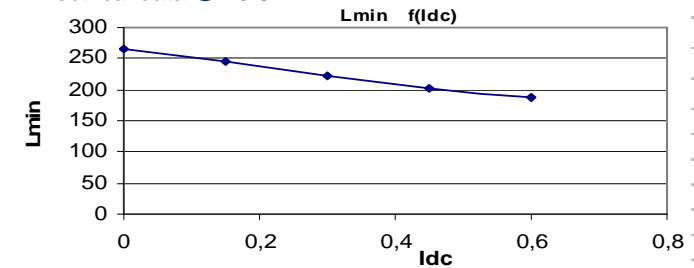
Resistance = 910mΩ max

Frequency kHz	Ripple Current	10%ΔI	20%ΔI	30%ΔI
		0,03	0,06	0,09
25	Total losses mW	70	70	70
	ΔT°C	9	9	9
50	Total losses mW	70	70	80
	ΔT°C	9	9	10
75	Total losses mW	70	80	90
	ΔT°C	9	10	11
100	Total losses mW	70	80	90
	ΔT°C	9	10	11

**L f(Idc) Inductance Values**

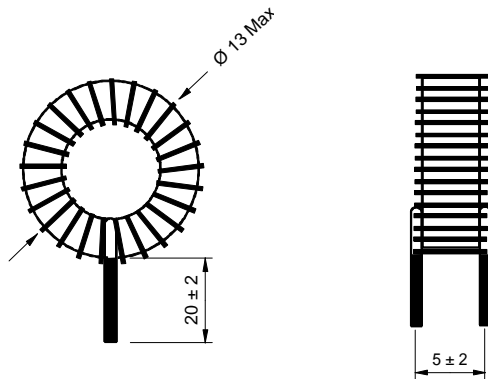
Idc (A)	Lmin (μH)
0	264
0,15	244
0,3	223
0,45	203
0,6	187

Electrical data @ 25°C

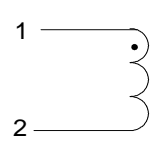


**PN : 26402SNV**

Mechanical dimensions



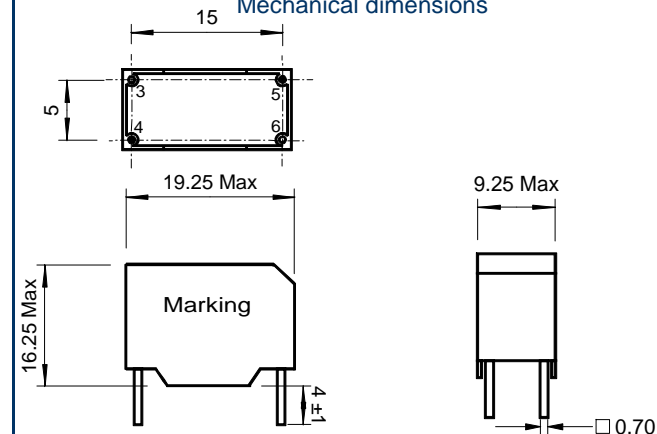
Schematic



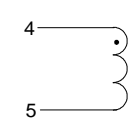
Inductance 1-2  
Implantation in holes : 0.5 mm

**PN : 26402BV**

Mechanical dimensions



Schematic



Inductance 4-5  
Blind pins 3-6  
Implantation in holes : 1,3 mm