

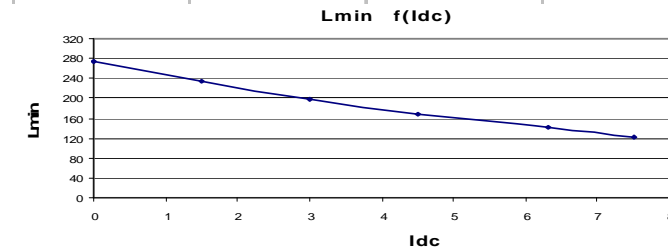
Resistance = 60mΩ max

Frequency kHz	Ripple Current	10%ΔI	20%ΔI	30%ΔI
25	Total losses mW	1910	2090	2410
	ΔT°C	25	27	30
	Total losses mW	2010	2490	3310
50	ΔT°C	26	31	39
	Total losses mW	2130	2980	
75	ΔT°C	27	36	
	Total losses mW	2260		
100	ΔT°C	29		

Electrical data @ 25°C

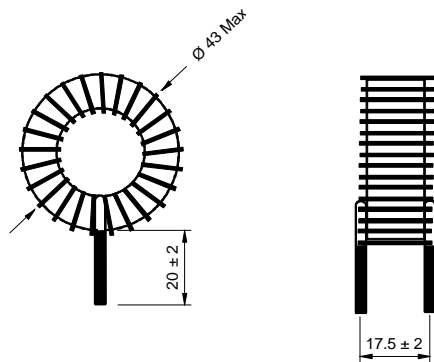
L f(Idc) Inductance Values

Idc (A)	Lmin (µH)
0	273
1,5	234
3	199
4,5	169
6,3	141
7,5	123

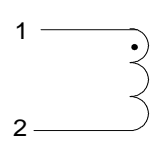


PN : 26364SNV

Mechanical dimensions



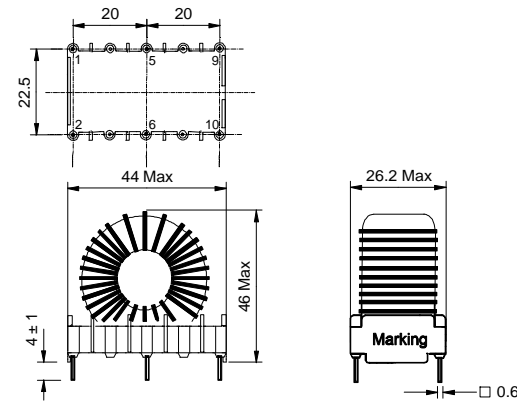
Schematic



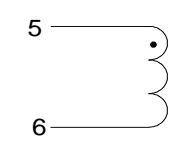
Inductance 1-2
Implantation in holes : 1,4 mm

PN : 26364EE

Mechanical dimensions



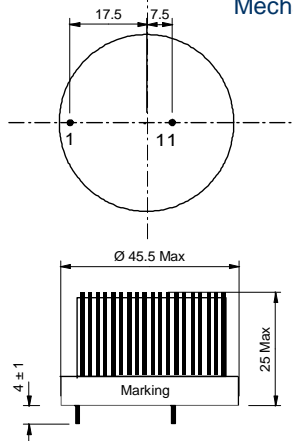
Schematic



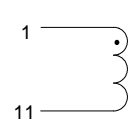
Inductance 4-5
Blind pins 1-2-9-10
5-6 Implantation in holes : 1,4 mm
1-2-9-10 Implantation in holes : 1,2 mm

PN : 26364BPC

Mechanical dimensions



Schematic



Inductance 1-11
Implantation in holes : 1,4 mm