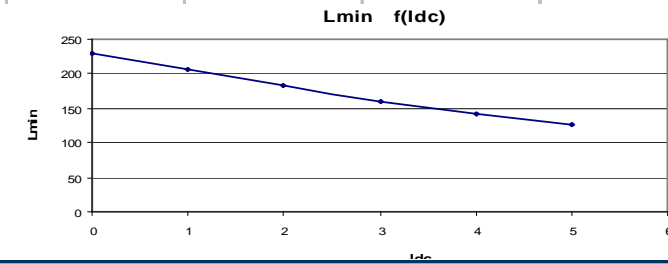


| Resistance = 70mΩ max | | 10%ΔI | 20%ΔI | 30%ΔI |
|-----------------------|-----------------|-------|-------|-------|
| 25 | Frequency kHz | | | |
| | Ripple Current | 0,4 | 0,8 | 1,2 |
| 50 | Total losses mW | 960 | 1040 | 1190 |
| | ΔT°C | 16 | 17 | 19 |
| 75 | Total losses mW | 1000 | 1220 | 1590 |
| | ΔT°C | 17 | 20 | 25 |
| 100 | Total losses mW | 1050 | 1440 | 2080 |
| | ΔT°C | 17 | 23 | 31 |
| | Total losses mW | 1110 | 1680 | 2630 |
| | ΔT°C | 18 | 26 | 37 |

L f(I_{dc}) Inductance Values

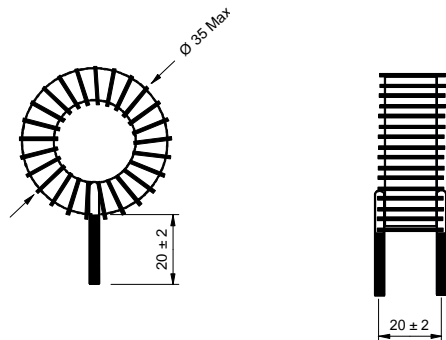
| I _{dc} (A) | L _{min} (µH) |
|---------------------|-----------------------|
| 0 | 231 |
| 1 | 207 |
| 2 | 182 |
| 3 | 161 |
| 4 | 141 |
| 5 | 126 |

Electrical data @ 25°C

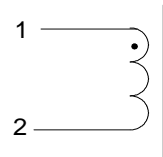


PN : 26362SNV

Mechanical dimensions



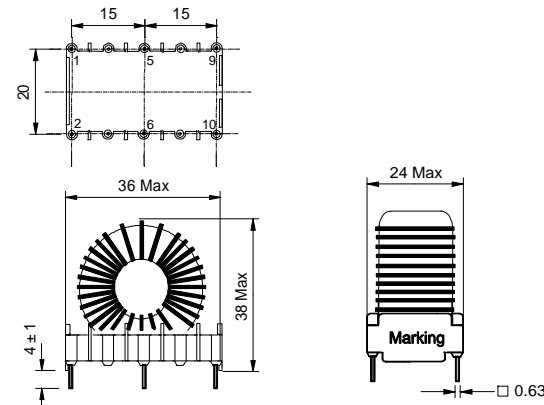
Schematic



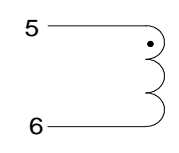
Inductance 1-2
Implantation in holes : 1.3 mm

PN : 26362EE

Mechanical dimensions



Schematic



Inductance 5-6
Blind pins 1-2-9-10
Implantation in holes : 1,2 mm

[See Version BV](#)

[See Version BH](#)