

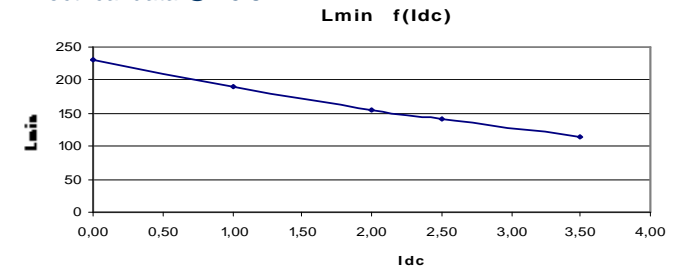
Resistance = 120mΩ max

Frequency kHz	Ripple Current	10%ΔI	20%ΔI	30%ΔI
25	Total losses mW	640	680	740
	ΔT°C	20	21	22
	Total losses mW	670	760	920
50	ΔT°C	20	23	27
	Total losses mW	680	850	1130
75	ΔT°C	21	25	32
	Total losses mW	710	960	1370
100	ΔT°C	21	27	37

Electrical data @ 25°C

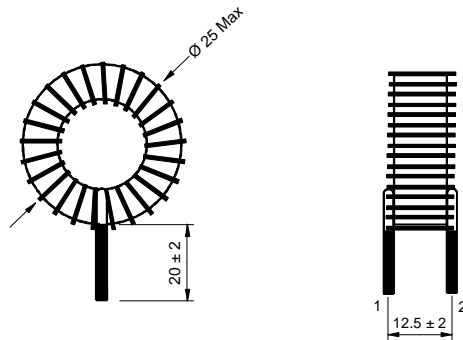
**L f(I<sub>dc</sub>) Inductance Values**

I <sub>dc</sub> (A)	L <sub>min</sub> (µH)
0	232
1	190
2	154
2,5	141
3,5	114

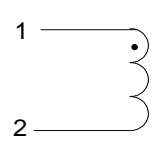


**PN : 26360SNV**

Mechanical dimensions



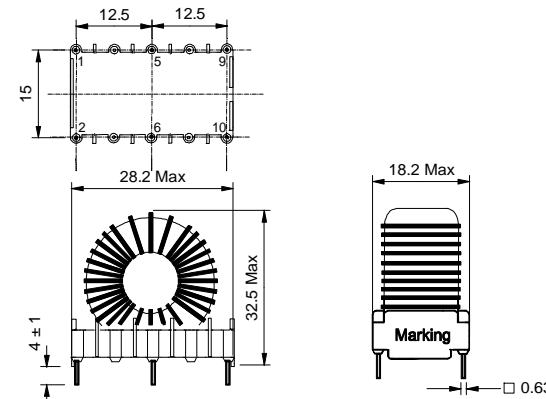
Schematic



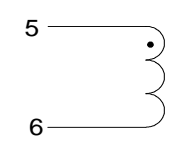
Inductance 1-2  
Implantation in holes : 0.9 mm

**PN : 26360EE**

Mechanical dimensions



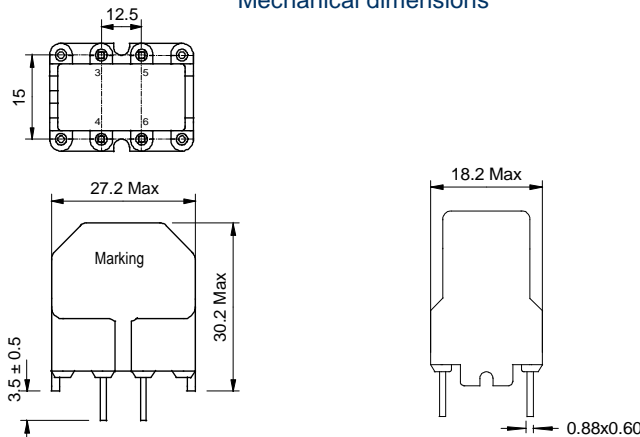
Schematic



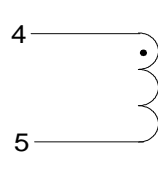
Inductance 5-6  
Blind pins 1-2-9-10  
Implantation in holes : 1,2 mm

**PN : 26360BV**

Mechanical dimensions



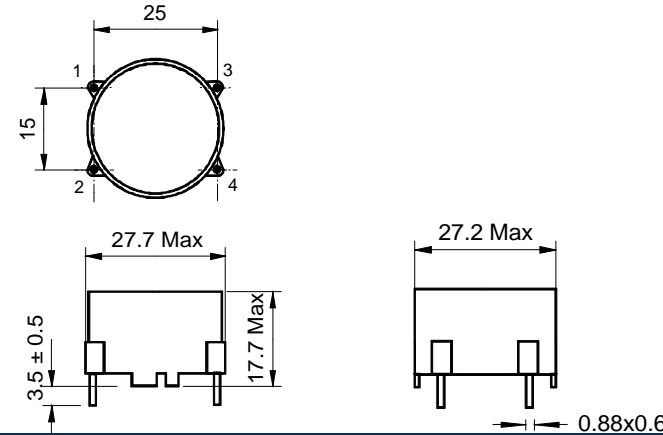
Schematic



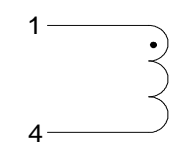
Inductance 4-5  
Blind pins 3-6  
Implantation in holes : 1,3 mm

**PN : 26360BH**

Mechanical dimensions



Schematic



Inductance 1-4  
Blind pins 2-3  
Implantation in holes : 1,3 mm