

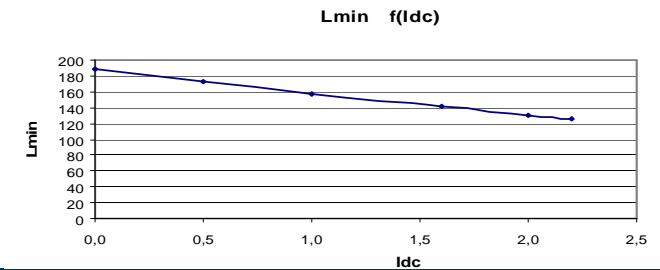
Resistance = 180mΩ max

Frequency kHz	Ripple Current	10%ΔI	20%ΔI	30%ΔI
25	Total losses mW	380	390	430
	ΔT°C	13	13	14
	Total losses mW	390	430	510
50	ΔT°C	13	14	16
	Total losses mW	400	480	620
75	ΔT°C	13	15	19
	Total losses mW	410	530	740
100	ΔT°C	14	17	22

Electrical data @ 25°C

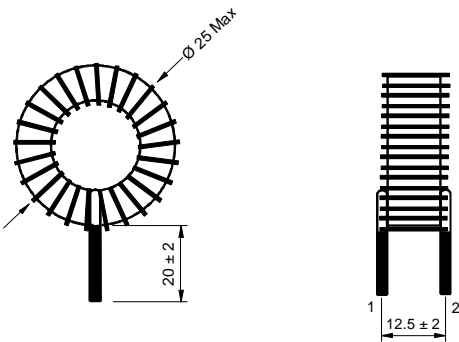
**L f(I<sub>dc</sub>) Inductance Values**

I <sub>dc</sub> (A)	L <sub>min</sub> (μH)
0	189
0,5	173
1	158
1,6	141
2	130
2,2	126

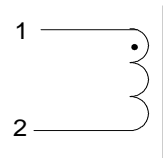


**PN : 26358SNV**

Mechanical dimensions



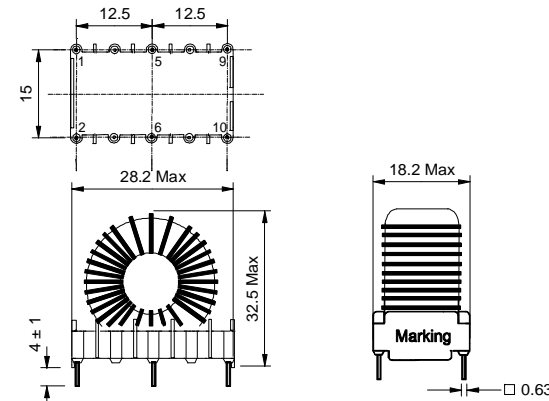
Schematic



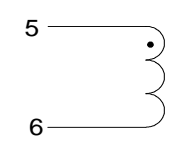
Inductance 1-2  
Implantation in holes : 0.8 mm

**PN : 26358EE**

Mechanical dimensions



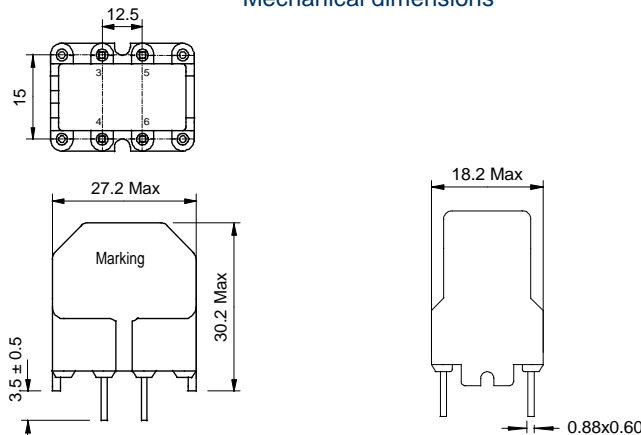
Schematic



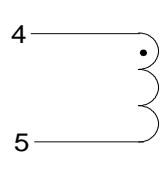
Inductance 5-6  
Blind pins 1-2-9-10  
Implantation in holes : 1,2 mm

**PN : 26358BV**

Mechanical dimensions



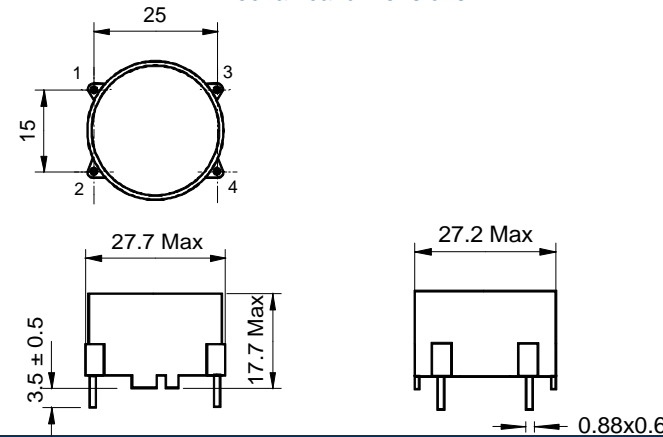
Schematic



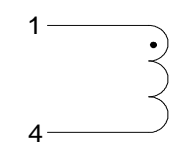
Inductance 4-5  
Blind pins 3-6  
Implantation in holes : 1,3 mm

**PN : 26358BH**

Mechanical dimensions



Schematic



Inductance 1-4  
Blind pins 2-3  
Implantation in holes : 1,3 mm