

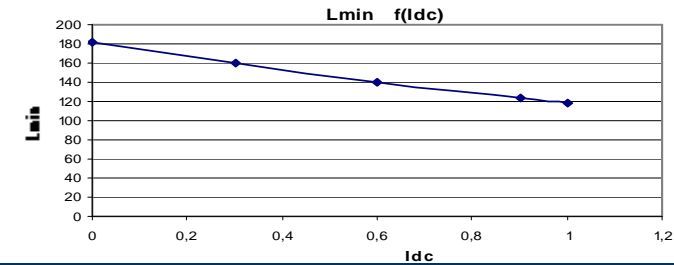
Resistance = 320m Ω max

Frequency kHz	Ripple Current	10% Δ I	20% Δ I	30% Δ I
25	Total losses mW	260	270	280
	Δ T $^{\circ}$ C	22	23	23
	Total losses mW	260	280	300
50	Δ T $^{\circ}$ C	23	23	25
	Total losses mW	270	290	330
75	Δ T $^{\circ}$ C	23	24	27
	Total losses mW	270	310	370
100	Δ T $^{\circ}$ C	23	25	30

Electrical data @ 25 $^{\circ}$ C

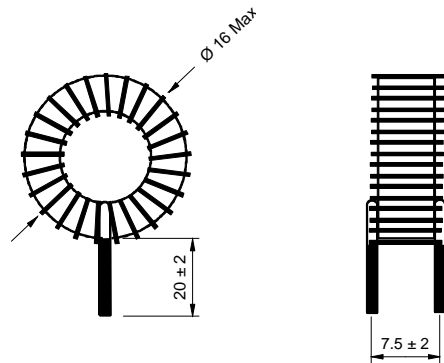
L f(I_{dc}) Inductance Values

I _{dc} (A)	L _{min} (μ H)
0	181
0,3	160
0,6	141
0,9	123
1	118

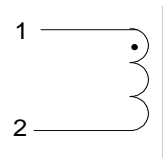


PN : 26356SNV

Mechanical dimensions



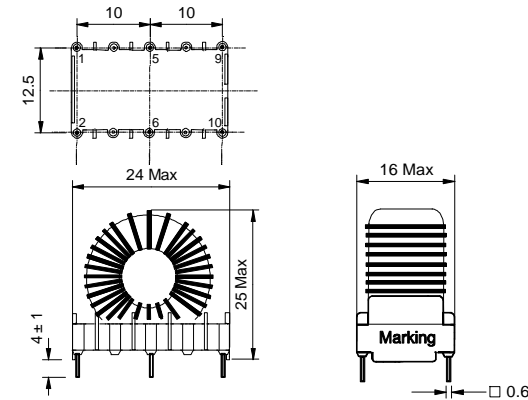
Schematic



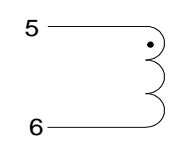
Inductance 1-2
Implantation in holes : 0.7 mm

PN : 26356EE

Mechanical dimensions



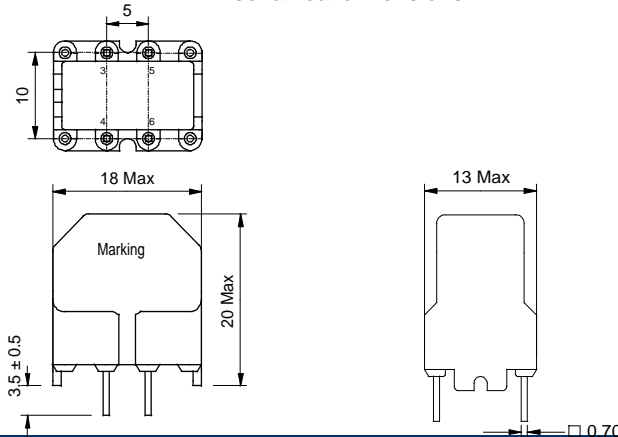
Schematic



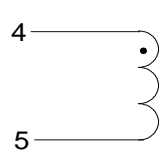
Inductance 5-6
Blind pins 1-2-9-10
Implantation in holes : 1,2 mm

PN : 26356BV

Mechanical dimensions



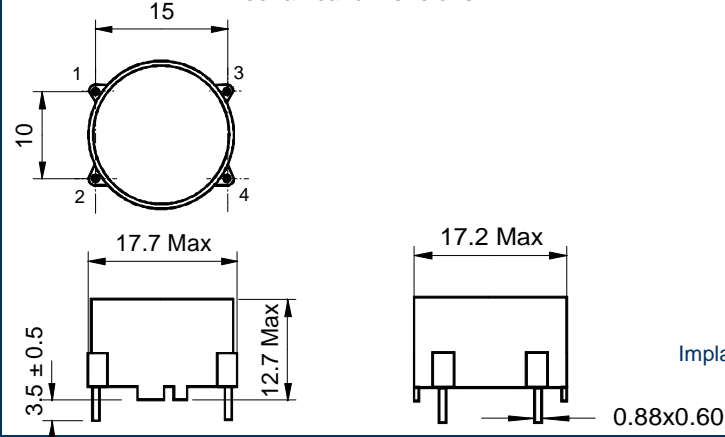
Schematic



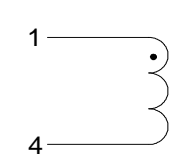
Inductance 4-5
Blind pins 3-6
Implantation in holes : 1,3 mm

PN : 26356BH

Mechanical dimensions



Schematic



Inductance 1-4
Blind pins 2-3
Implantation in holes : 1,3 mm