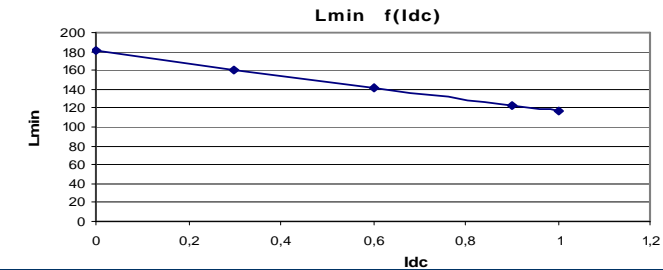


Frequency kHz	Ripple Current	10%ΔI	20%ΔI	30%ΔI
		0,06	0,12	0,18
25	Total losses mW	110	110	120
	ΔT°C	11	11	12
50	Total losses mW	110	120	130
	ΔT°C	11	12	13
75	Total losses mW	110	120	140
	ΔT°C	11	12	14
100	Total losses mW	120	130	160
	ΔT°C	12	13	15

Electrical data @ 25°C

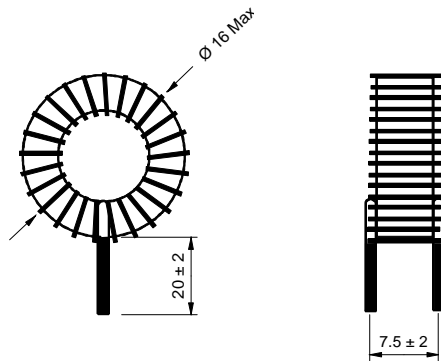
L f(I_{dc}) Inductance Values

I _{dc} (A)	L _{min} (µH)
0	180,28
0,3	160,16
0,6	140,8
0,9	123,2
1	117,92

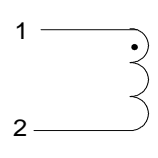


PN : 26354SNV

Mechanical dimensions



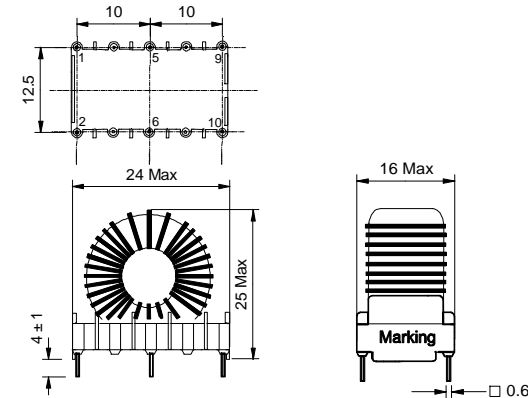
Schematic



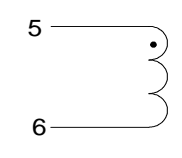
Inductance 1-2
Implantation in holes : 0.6 mm

PN : 26354EE

Mechanical dimensions



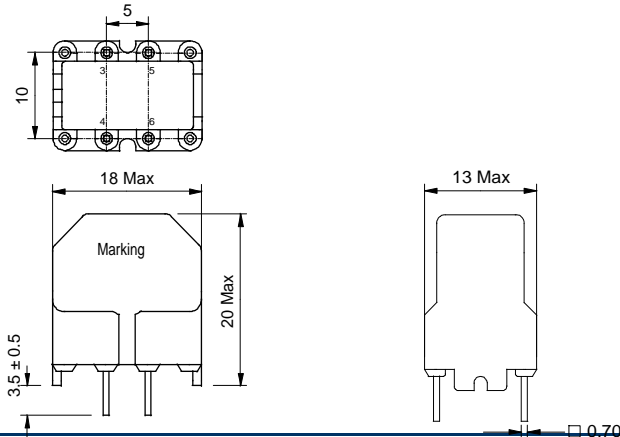
Schematic



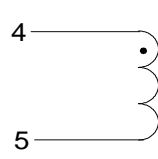
Inductance 5-6
Blind pins 1-2-9-10
Implantation in holes : 1,2 mm

PN : 26354BV

Mechanical dimensions



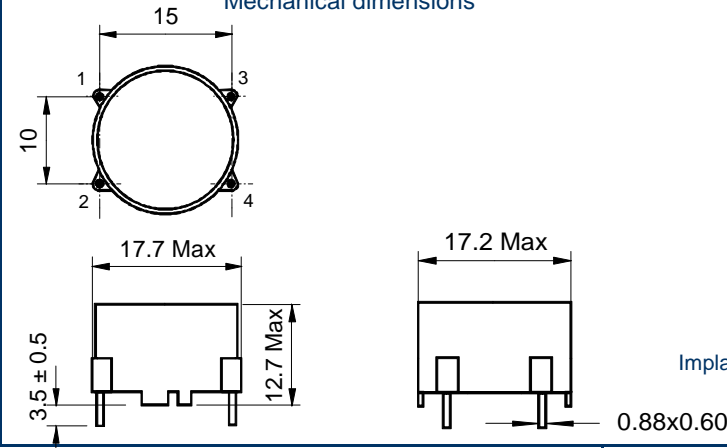
Schematic



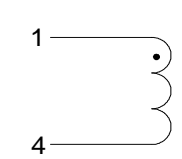
Inductance 4-5
Blind pins 3-6
Implantation in holes : 1,3 mm

PN : 26354BH

Mechanical dimensions



Schematic



Inductance 1-4
Blind pins 2-3
Implantation in holes : 1,3 mm

0.88x0.60