

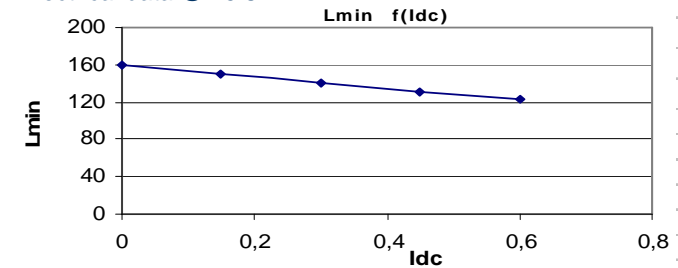
Resistance = 710m Ω max

Frequency kHz	Ripple Current	10% Δ I	20% Δ I	30% Δ I
25	Total losses mW	50	50	50
	$\Delta T^{\circ}C$	7	7	8
50	Total losses mW	50	50	60
	$\Delta T^{\circ}C$	7	8	8
75	Total losses mW	50	50	60
	$\Delta T^{\circ}C$	7	8	8
100	Total losses mW	50	60	60
	$\Delta T^{\circ}C$	7	8	9

L f(Idc) Inductance Values

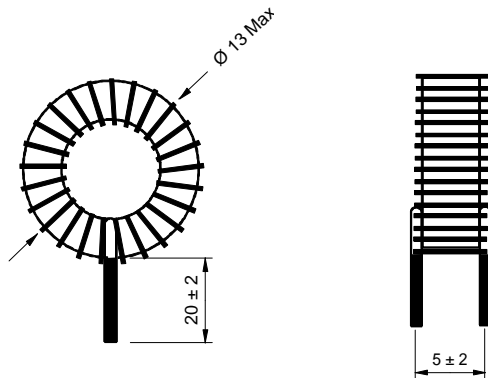
Idc (A)	Lmin (μ H)
0	159
0,15	150
0,3	141
0,45	131
0,6	122

Electrical data @ 25 $^{\circ}C$

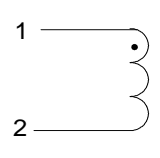


PN : 26352SNV

Mechanical dimensions



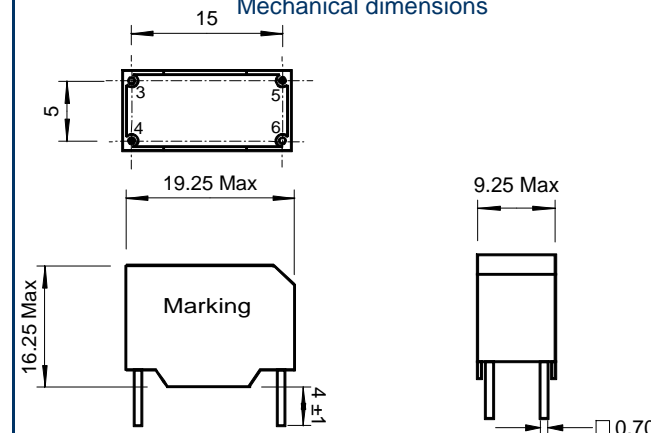
Schematic



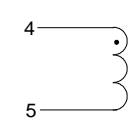
Inductance 1-2
Implantation in holes : 0.5 mm

PN : 26352BV

Mechanical dimensions



Schematic



Inductance 4-5
Blind pins 3-6
Implantation in holes : 1,3 mm