

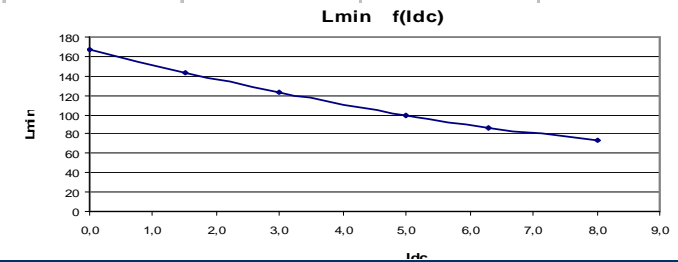
Resistance = 40mΩ max

Frequency kHz	Ripple Current	10%ΔI	20%ΔI	30%ΔI
25	Total losses mW	1300	1410	1610
	ΔT°C	21	22	25
	Total losses mW	1360	1650	2160
50	ΔT°C	22	25	32
	Total losses mW	1430	1940	2820
	ΔT°C	22	29	40
75	Total losses mW	1510	2270	
	ΔT°C	24	33	

Electrical data @ 25°C

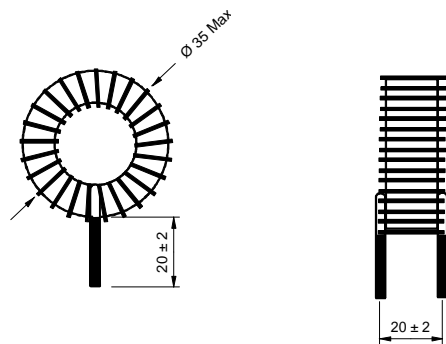
L f(Idc) Inductance Values

Idc (A)	Lmin (µH)
0	166
1,5	143
3	122
5	99
6,3	87
8	74

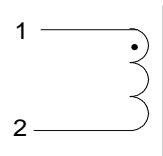


PN : 26314SNV

Mechanical dimensions



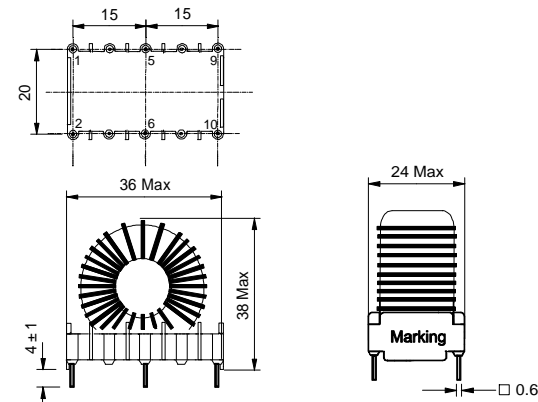
Schematic



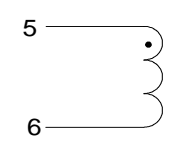
Inductance 1-2
Implantation in holes : 1,3 mm

PN : 26314EE

Mechanical dimensions



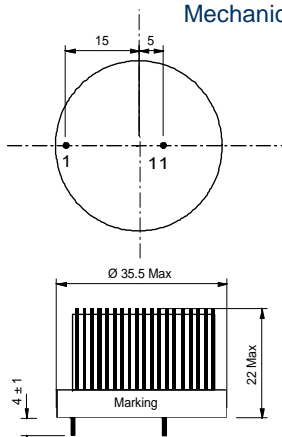
Schematic



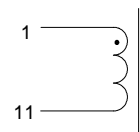
Inductance 4-5
Blind pins 1-2-9-10
5-6 Implantation in holes : 1,4 mm
1-2-9-10 Implantation in holes : 1,2 mm

PN : 26314BPC

Mechanical dimensions



Schematic



Inductance 1-11
Implantation in holes : 1,4 mm