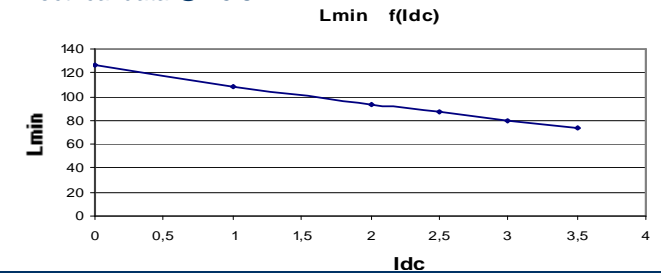


Frequency kHz	Ripple Current	10%ΔI	20%ΔI	30%ΔI
		0,25	0,5	0,75
25	Total losses mW	480	510	550
	ΔT°C	15	16	17
50	Total losses mW	490	560	680
	ΔT°C	16	17	20
75	Total losses mW	510	630	830
	ΔT°C	16	19	24
100	Total losses mW	530	700	1000
	ΔT°C	17	21	28

L f(I_{dc}) Inductance Values

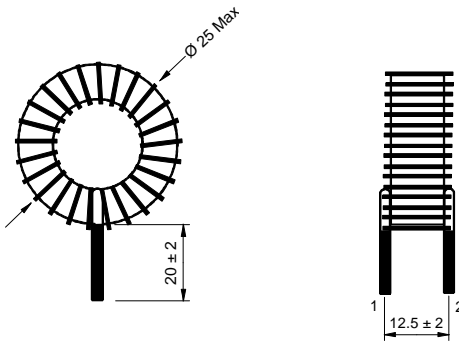
I _{dc} (A)	L _{min} (µH)
0	127
1	109
2	93
2,5	88
3	80
3,5	74

Electrical data @ 25°C

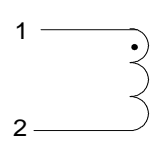


PN : 26310SNV

Mechanical dimensions



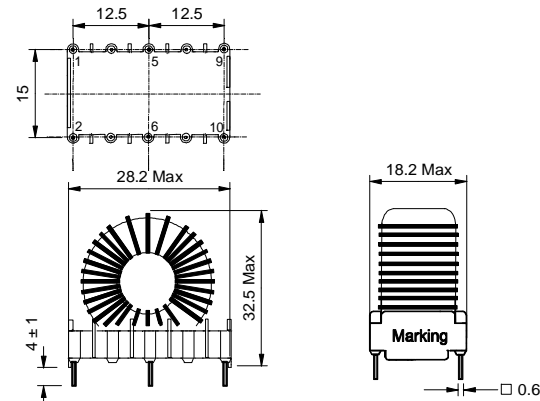
Schematic



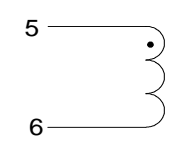
Inductance 1-2
Implantation in holes : 0.8 mm

PN : 26310EE

Mechanical dimensions



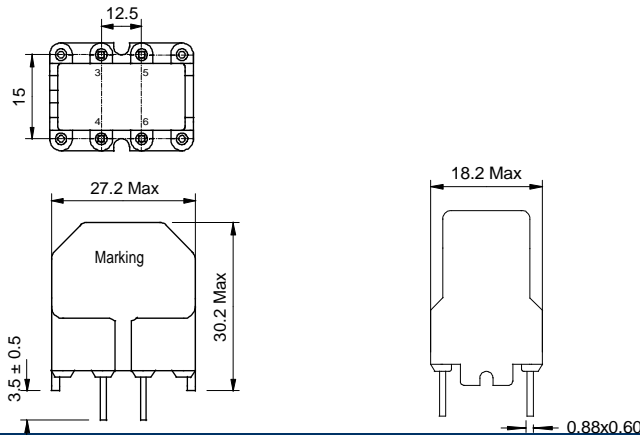
Schematic



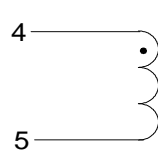
Inductance 5-6
Blind pins 1-2-9-10
Implantation in holes : 1,2 mm

PN : 26310BV

Mechanical dimensions



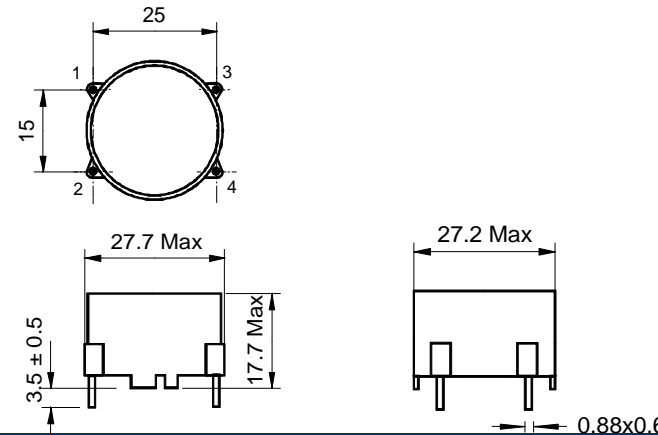
Schematic



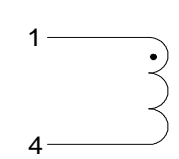
Inductance 4-5
Blind pins 3-6
Implantation in holes : 1,3 mm

PN : 26310BH

Mechanical dimensions



Schematic



Inductance 1-4
Blind pins 2-3
Implantation in holes : 1,3 mm