

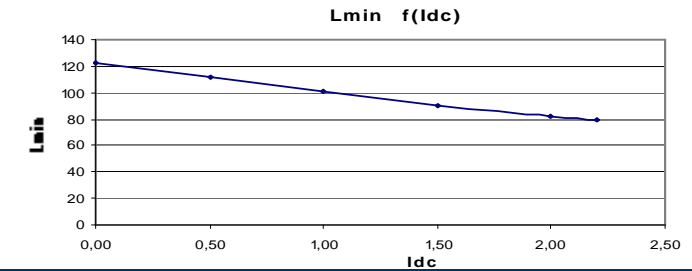
Resistance = 120 mΩ max

Frequency kHz	Ripple Current	10%ΔI	20%ΔI	30%ΔI
25	Total losses mW	260	270	290
	ΔT°C	13	14	14
	Total losses mW	270	300	340
50	ΔT°C	13	15	17
	Total losses mW	280	320	410
75	ΔT°C	14	16	19
	Total losses mW	280	360	480
100	ΔT°C	14	17	22

Electrical data @ 25°C

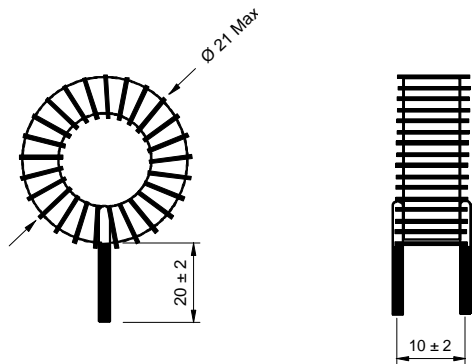
**L f(I<sub>dc</sub>) Inductance Values**

I <sub>dc</sub> (A)	L <sub>min</sub> (µH)
0	122
0,5	112
1	100
1,5	91
2	82
2,2	79

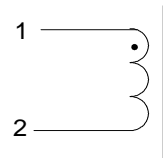


**PN : 26308SNV**

Mechanical dimensions



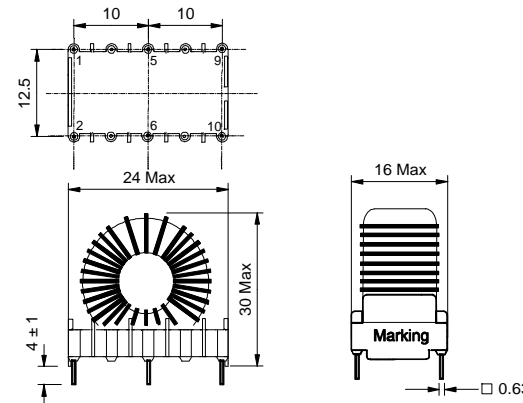
Schematic



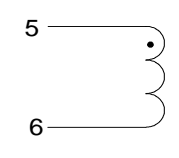
Inductance 1-2  
Implantation in holes : 0.8 mm

**PN : 26308EE**

Mechanical dimensions



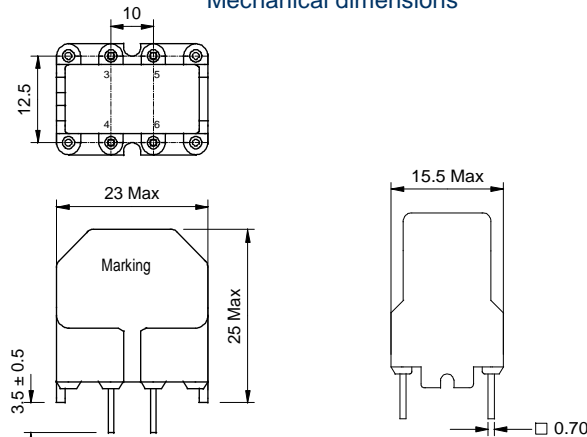
Schematic



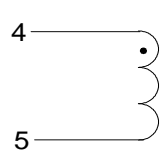
Inductance 5-6  
Blind pins 1-2-9-10  
Implantation in holes : 1,2 mm

**PN : 26308BV**

Mechanical dimensions



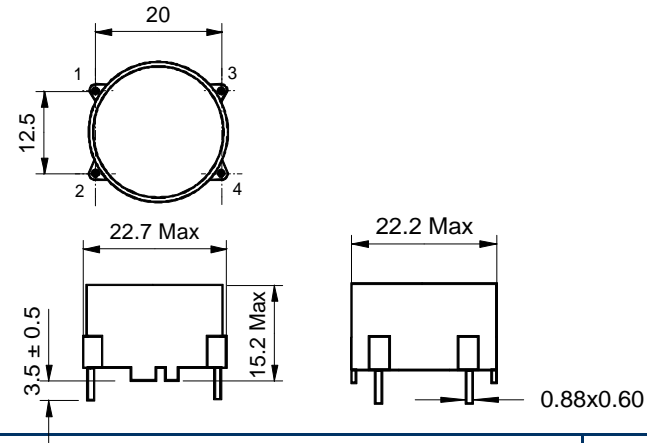
Schematic



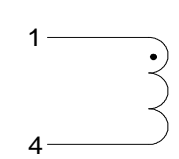
Inductance 4-5  
Blind pins 3-6  
Implantation in holes : 1,3 mm

**PN : 26308BH**

Mechanical dimensions



Schematic



Inductance 1-4  
Blind pins 2-3  
Implantation in holes : 1,3 mm