

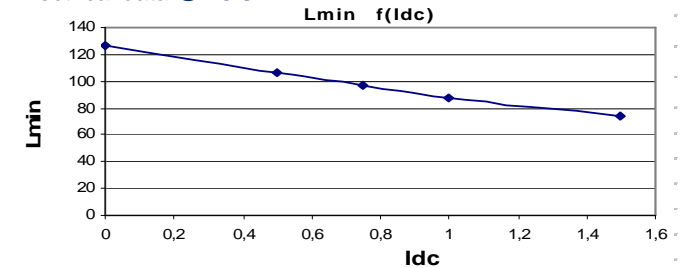
Resistance = 180mΩ max

Frequency kHz	Ripple Current	10%ΔI	20%ΔI	30%ΔI
25	Total losses mW	150	160	160
	ΔT°C	14	14	15
50	Total losses mW	150	160	180
	ΔT°C	14	15	16
75	Total losses mW	160	170	200
	ΔT°C	14	16	18
100	Total losses mW	160	180	230
	ΔT°C	14	16	19

L f(Idc) Inductance Values

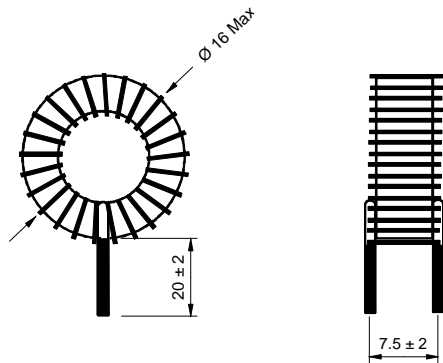
Idc (A)	Lmin (μH)
0	127
0,5	106
0,75	97
1	88
1,5	74

Electrical data @ 25°C

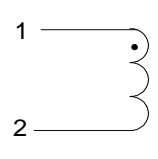


PN : 26306SNV

Mechanical dimensions



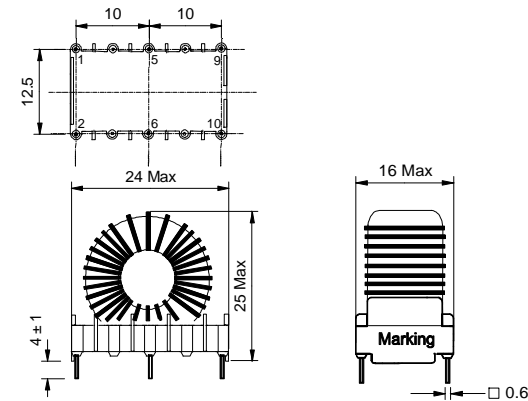
Schematic



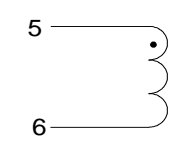
Inductance 1-2
Implantation in holes : 0.7 mm

PN : 26306EE

Mechanical dimensions



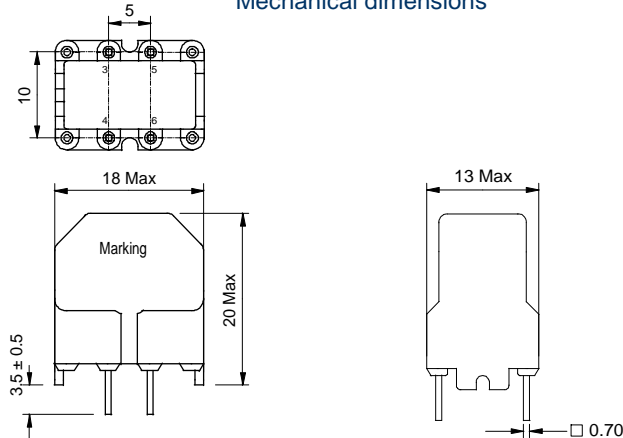
Schematic



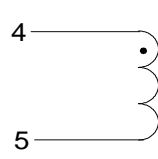
Inductance 5-6
Blind pins 1-2-9-10
Implantation in holes : 1,2 mm

PN : 26306BV

Mechanical dimensions



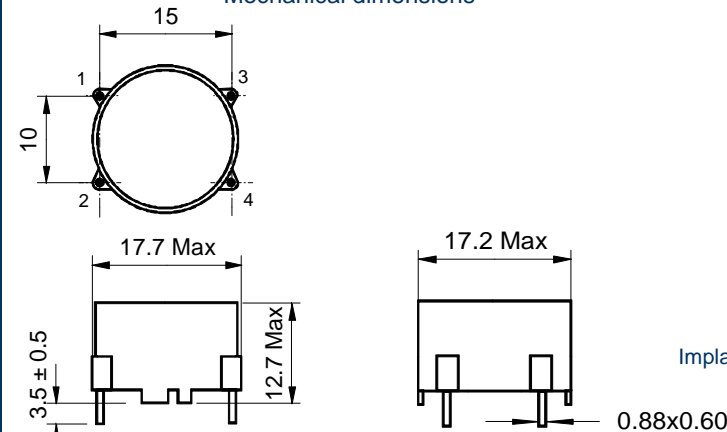
Schematic



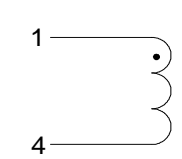
Inductance 4-5
Blind pins 3-6
Implantation in holes : 1,3 mm

PN : 26306BH

Mechanical dimensions



Schematic



Inductance 1-4
Blind pins 2-3
Implantation in holes : 1,3 mm