

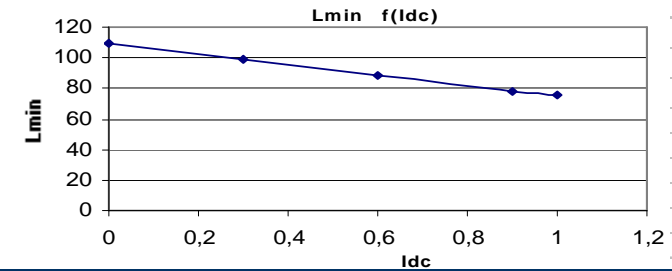
Resistance = 260mΩ max

Frequency kHz	Ripple Current	10%ΔI	20%ΔI	30%ΔI
25	Total losses mW	80	80	90
	ΔT°C	10	10	11
50	Total losses mW	80	90	90
	ΔT°C	10	11	11
75	Total losses mW	80	90	100
	ΔT°C	10	11	12
100	Total losses mW	80	90	110
	ΔT°C	10	12	14

L f(Idc) Inductance Values

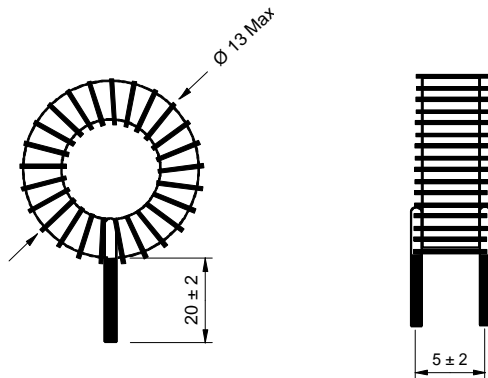
Idc (A)	Lmin (μH)
0	109
0,3	99
0,9	88
0,9	78
1	75

Electrical data @ 25°C

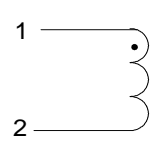


PN : 26304SNV

Mechanical dimensions



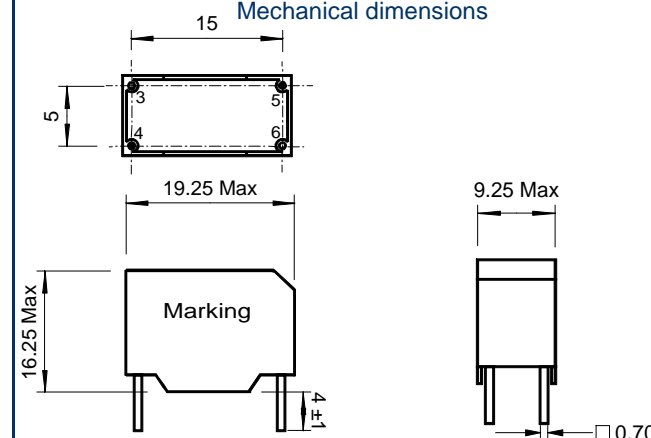
Schematic



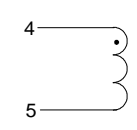
Inductance 1-2
Implantation in holes : 0.6 mm

PN : 26304BV

Mechanical dimensions



Schematic



Inductance 4-5
Blind pins 3-6
Implantation in holes : 1,3 mm