

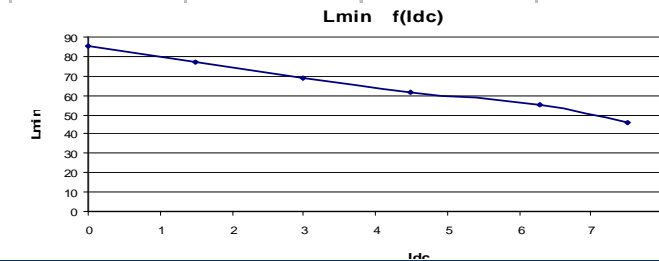
Resistance = 30mΩ max

Frequency kHz	Ripple Current	10%ΔI	20%ΔI	30%ΔI
25	Total losses mW	940	1030	1180
	ΔT°C	16	17	19
50	Total losses mW	980	1210	1600
	ΔT°C	16	20	25
75	Total losses mW	1040	1430	2110
	ΔT°C	17	23	31
100	Total losses mW	1100	1690	2680
	ΔT°C	18	26	38

Electrical data @ 25°C

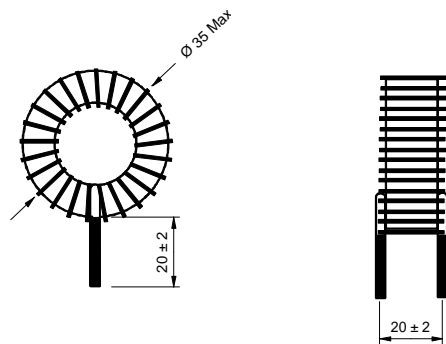
**L f(Idc) Inductance Values**

Idc (A)	Lmin (μH)
0	86
1,5	77
3	69
4,5	62
6,3	55
7,5	46

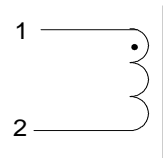


**PN : 26264SNV**

Mechanical dimensions



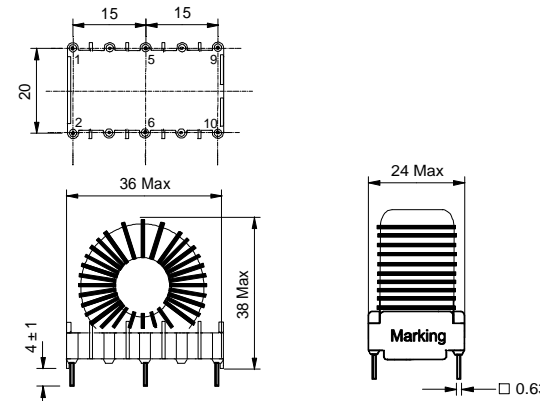
Schematic



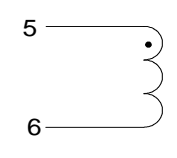
Inductance 1-2  
Implantation in holes : 1,3 mm

**PN : 26264EE**

Mechanical dimensions



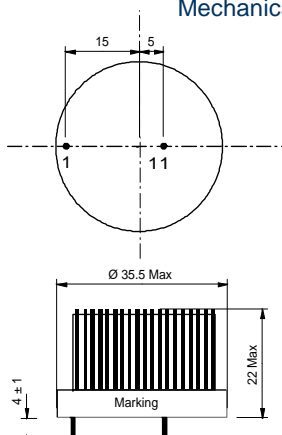
Schematic



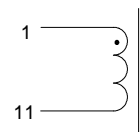
Inductance 4-5  
Blind pins 1-2-9-10  
5-6 Implantation in holes : 1,4 mm  
1-2-9-10 Implantation in holes : 1,2 mm

**PN : 26264BPC**

Mechanical dimensions



Schematic



Inductance 1-11  
Implantation in holes : 1,4 mm