

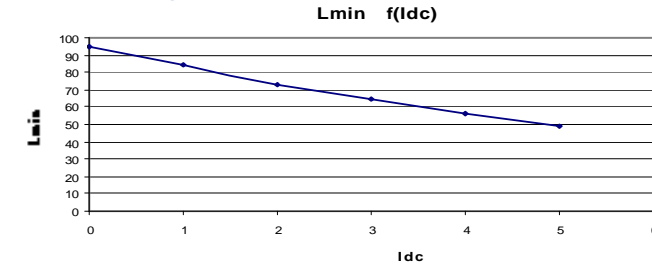
Resistance = 80 mΩ max

Frequency kHz	Ripple Current	10%ΔI	20%ΔI	30%ΔI
25	Total losses mW	1040	1080	1140
	ΔT°C	30	30	32
50	Total losses mW	1060	1150	1310
	ΔT°C	30	32	36
75	Total losses mW	1080	1240	
	ΔT°C	30	34	
100	Total losses mW	1110	1350	
	ΔT°C	31	37	

L f(I_{dc}) Inductance Values

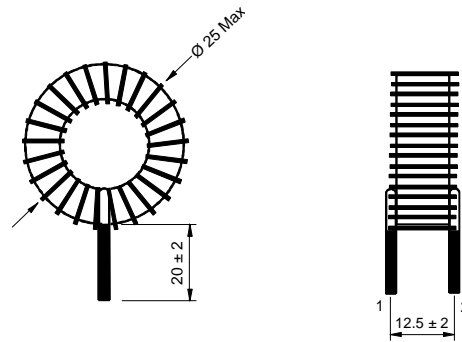
I _{dc} (A)	L _{min} (μH)
0	95
1	84
2	73
3	64
4	56
5	49

Electrical data @ 25°C

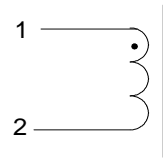


PN : 26262SNV

Mechanical dimensions



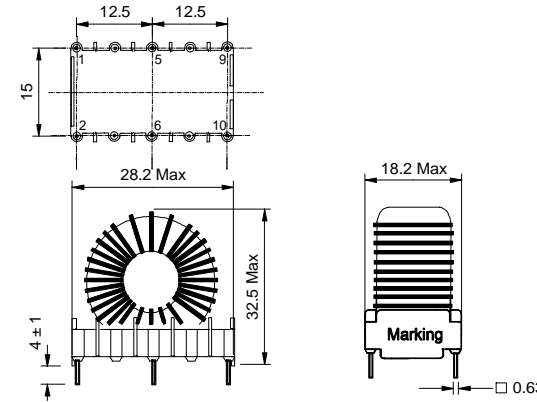
Schematic



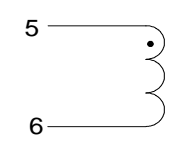
Inductance 1-2
Implantation in holes : 1.2 mm

PN : 26262EE

Mechanical dimensions



Schematic



Inductance 5-6
Blind pins 1-2-9-10
Implantation in holes : 1,2 mm

[See Version BV](#)

[See Version BH](#)