

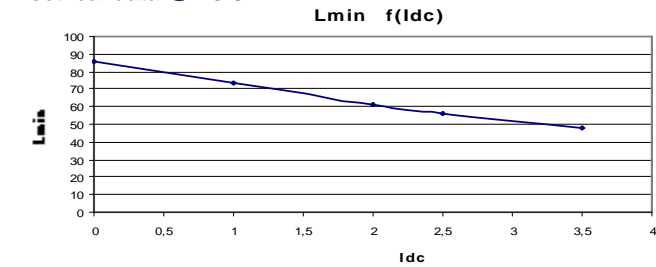
Resistance = 65 mΩ max

Frequency kHz	Ripple Current	10%ΔI	20%ΔI	30%ΔI
25	Total losses mW	330	350	380
	ΔT°C	16	17	18
	Total losses mW	340	380	450
50	ΔT°C	17	18	21
	Total losses mW	350	420	530
75	ΔT°C	17	20	24
	Total losses mW	360	460	630
100	ΔT°C	17	21	28

L f(Idc) Inductance Values

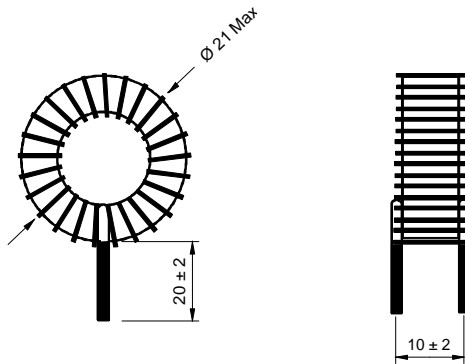
Idc (A)	Lmin (µH)
0	86
1	73
2	62
2,5	56
3,5	48

Electrical data @ 25°C

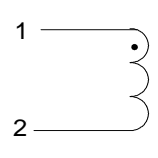


PN : 26260SNV

Mechanical dimensions



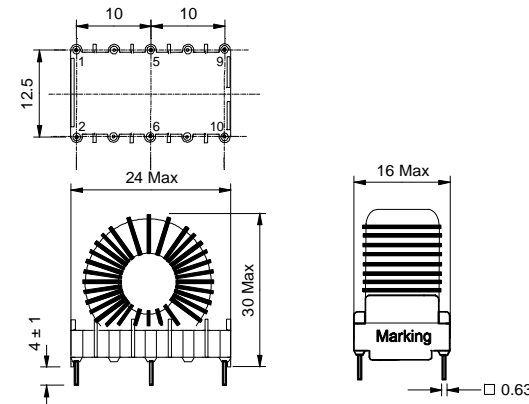
Schematic



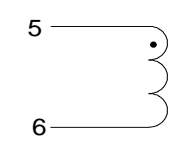
Inductance 1-2
Implantation in holes : 0.9 mm

PN : 26260EE

Mechanical dimensions



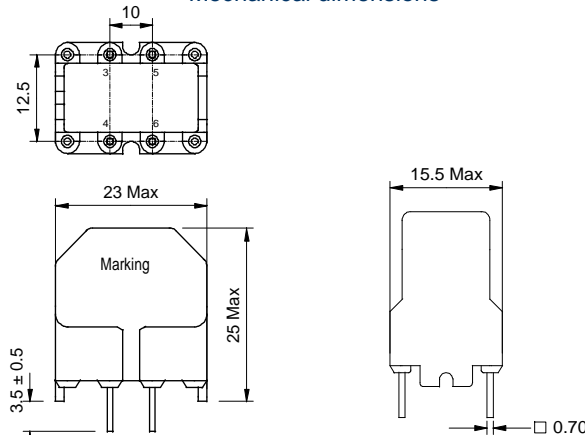
Schematic



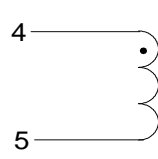
Inductance 5-6
Blind pins 1-2-9-10
Implantation in holes : 1,2 mm

PN : 26260BV

Mechanical dimensions



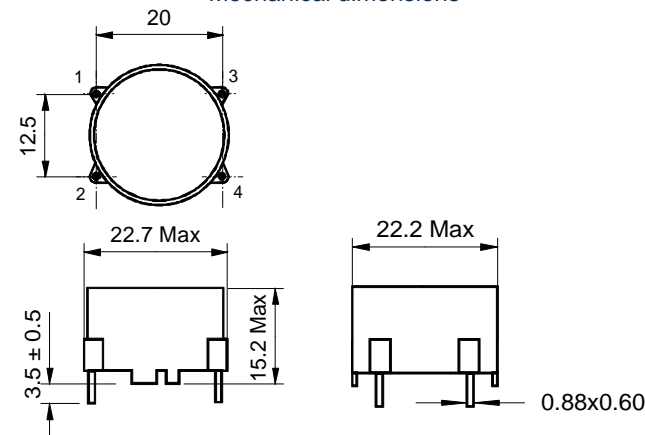
Schematic



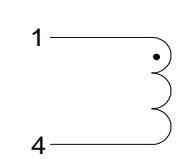
Inductance 4-5
Blind pins 3-6
Implantation in holes : 1,3 mm

PN : 26260BH

Mechanical dimensions



Schematic



Inductance 1-4
Blind pins 2-3
Implantation in holes : 1,3 mm