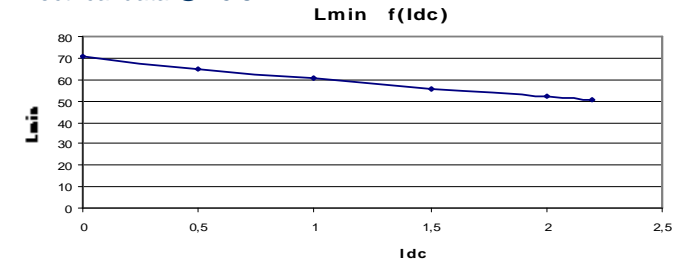


Resistance = 90 mΩ max		10%ΔI	20%ΔI	30%ΔI
Frequency kHz	Ripple Current	0,16	0,32	0,48
	Total losses mW	190	200	210
25	ΔT°C	10	11	11
	Total losses mW	200	220	250
50	ΔT°C	11	11	13
	Total losses mW	200	230	290
75	ΔT°C	11	12	15
	Total losses mW	210	260	340
100	ΔT°C	11	13	17

L f(Idc) Inductance Values

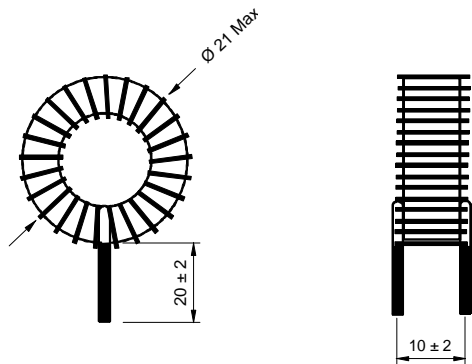
Idc (A)	Lmin (µH)
0	70
0,5	65
1	61
1,5	55
2	52
2,2	50

Electrical data @ 25°C

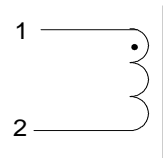


PN : 26258SNV

Mechanical dimensions



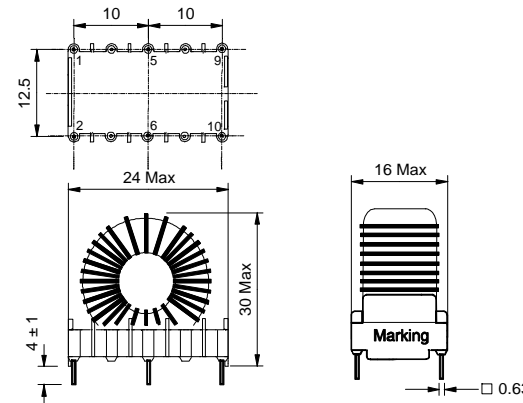
Schematic



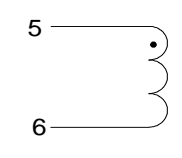
Inductance 1-2
Implantation in holes : 0.8 mm

PN : 26258EE

Mechanical dimensions



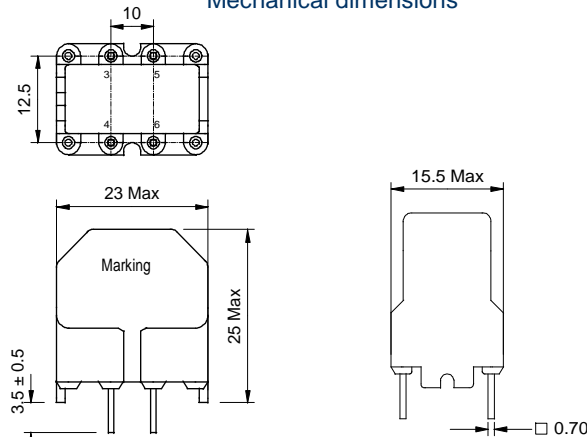
Schematic



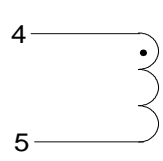
Inductance 5-6
Blind pins 1-2-9-10
Implantation in holes : 1,2 mm

PN : 26258BV

Mechanical dimensions



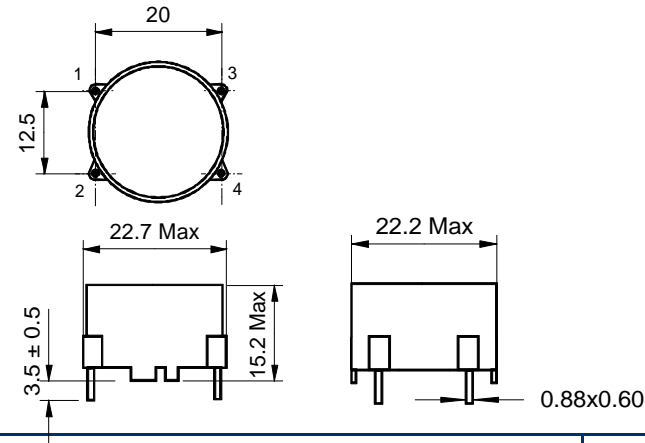
Schematic



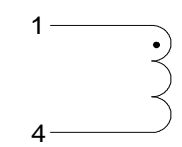
Inductance 4-5
Blind pins 3-6
Implantation in holes : 1,3 mm

PN : 26258BH

Mechanical dimensions



Schematic



Inductance 1-4
Blind pins 2-3
Implantation in holes : 1,3 mm