

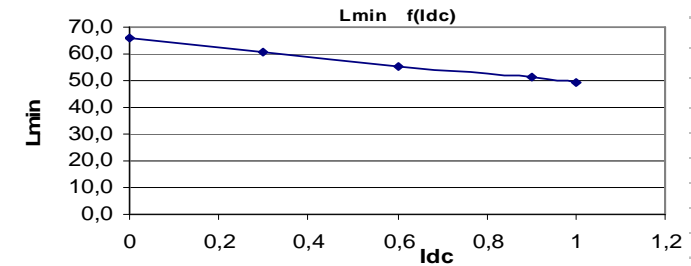
Resistance = 200mΩ max

Frequency kHz	Ripple Current	10%ΔI	20%ΔI	30%ΔI
25	Total losses mW	60	60	60
	ΔT°C	8	8	9
50	Total losses mW	60	60	70
	ΔT°C	8	8	9
75	Total losses mW	60	70	70
	ΔT°C	8	9	10
100	Total losses mW	60	70	80
	ΔT°C	8	9	11

L f(Idc) Inductance Values

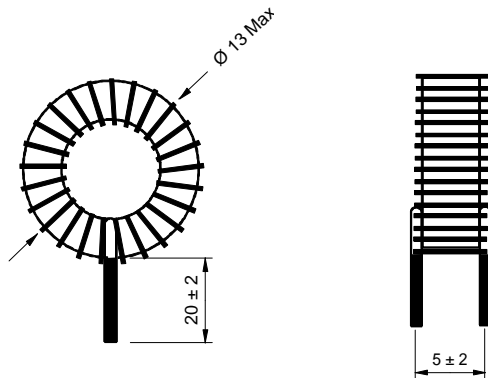
Idc (A)	Lmin (μH)
0	66
0,3	60,7
0,6	55,4
0,9	51
1	49,3

Electrical data @ 25°C

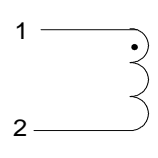


PN : 26254SNV

Mechanical dimensions



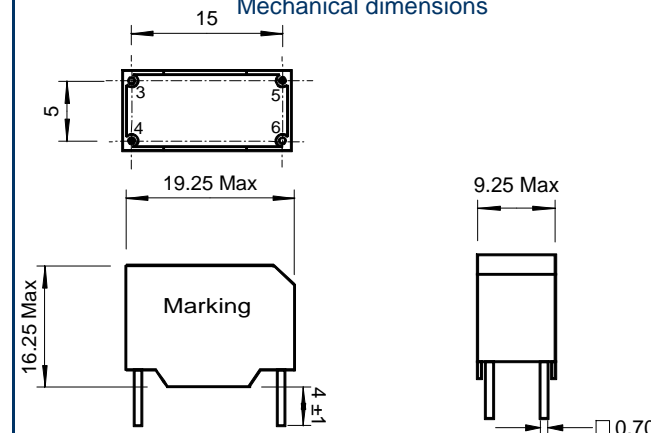
Schematic



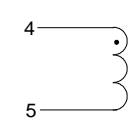
Inductance 1-2
Implantation in holes : 0.6 mm

PN : 26254BV

Mechanical dimensions



Schematic



Inductance 4-5
Blind pins 3-6
Implantation in holes : 1,3 mm