

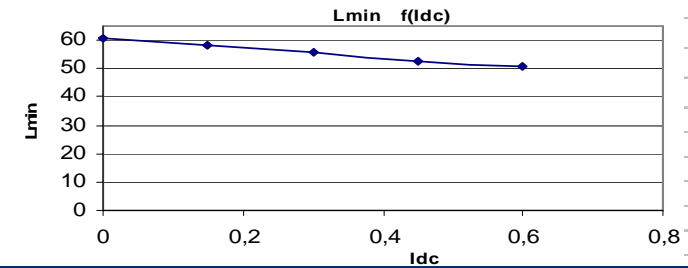
Resistance = 440mΩ max

Frequency kHz	Ripple Current	10%ΔI	20%ΔI	30%ΔI
25	Total losses mW	30	30	30
	ΔT°C	5	5	5
50	Total losses mW	30	30	30
	ΔT°C	5	5	5
75	Total losses mW	30	30	30
	ΔT°C	5	5	5
100	Total losses mW	30	30	40
	ΔT°C	5	5	6

L f(Idc) Inductance Values

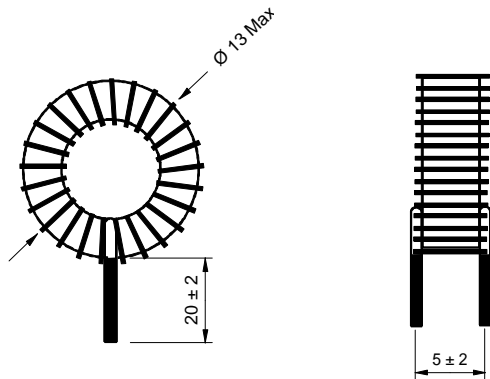
Idc (A)	Lmin (µH)
0	60,7
0,15	58,1
0,3	55,4
0,45	52,38
0,6	51

Electrical data @ 25°C

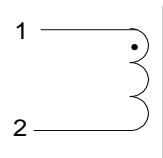


PN : 26252SNV

Mechanical dimensions



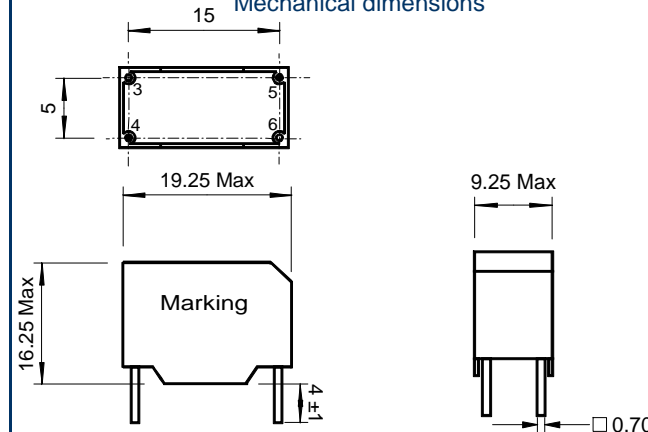
Schematic



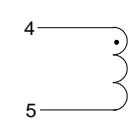
Inductance 1-2
Implantation in holes : 0.5 mm

PN : 26252BV

Mechanical dimensions



Schematic



Inductance 4-5
Blind pins 3-6
Implantation in holes : 1,3 mm