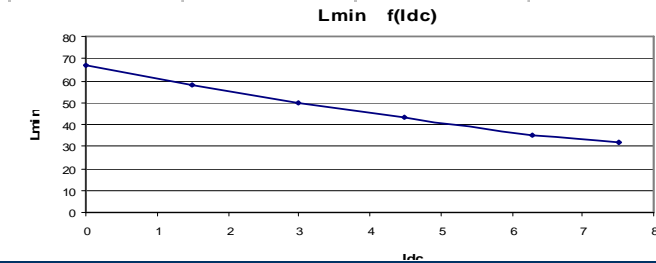


Resistance = 35mΩ max		10%ΔI	20%ΔI	30%ΔI
Frequency kHz	Ripple Current	0,63	1,26	1,89
	Total losses mW	1130	1180	1260
25	ΔT°C	27	28	30
	Total losses mW	1150	1280	1500
50	ΔT°C	28	30	34
	Total losses mW	1180	1410	
75	ΔT°C	28	33	
	Total losses mW	1,5	1550	
100	ΔT°C	3	35	

Electrical data @ 25°C

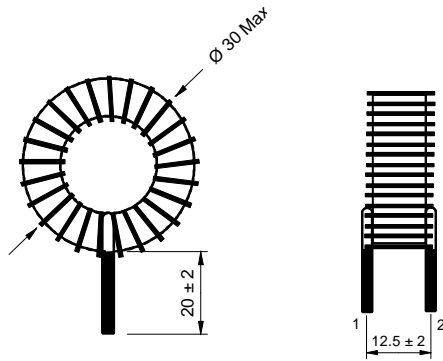
L f(Idc) Inductance Values

Idc (A)	Lmin (μH)
0	67
1,5	58
3	50
4,5	43
6,3	35
7,5	32

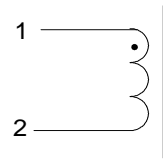


PN : 26214SNV

Mechanical dimensions



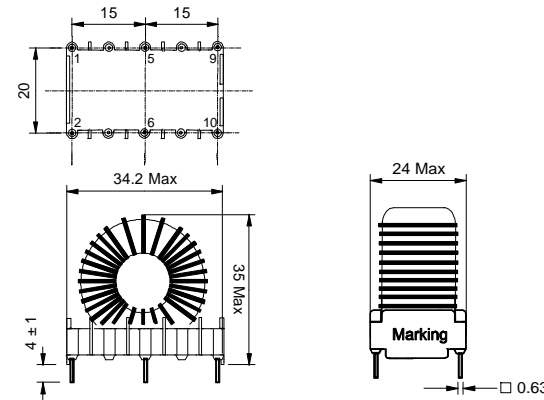
Schematic



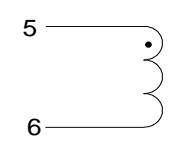
Inductance 1-2
Implantation in holes : 1,4 mm

PN : 26214EE

Mechanical dimensions



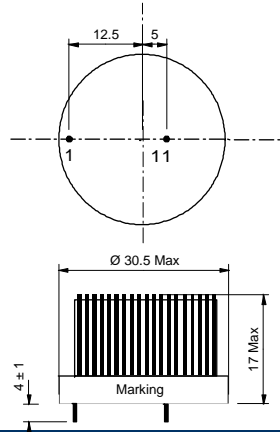
Schematic



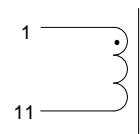
Inductance 4-5
Blind pins 1-2-9-10
5-6 Implantation in holes : 1,4 mm
1-2-9-10 Implantation in holes : 1,2 mm

PN : 26214BPC

Mechanical dimensions



Schematic



Inductance 1-11
Implantation in holes : 1,4 mm