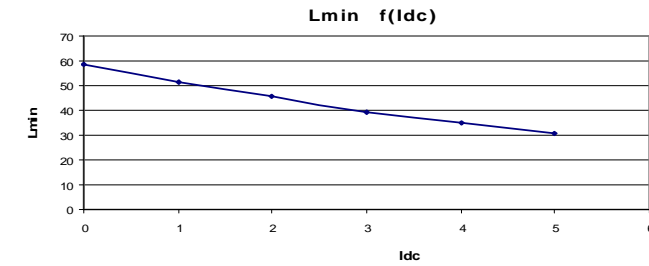


Resistance = 30m Ω max		10% Δ I	20% Δ I	30% Δ I
25	Frequency kHz			
	Ripple Current	0,4	0,8	1,2
50	Total losses mW	390	410	450
	Δ T $^{\circ}$ C	15	16	17
75	Total losses mW	400	460	560
	Δ T $^{\circ}$ C	16	17	21
100	Total losses mW	410	520	690
	Δ T $^{\circ}$ C	16	19	25
	Total losses mW	430	580	840
	Δ T $^{\circ}$ C	17	21	29

L f(Idc) Inductance Values

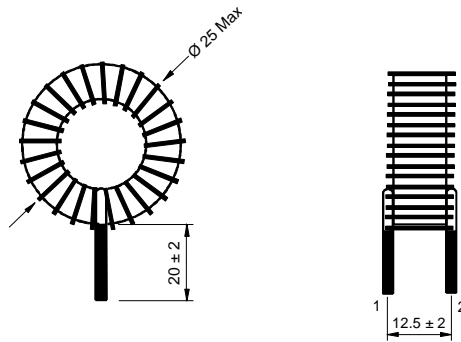
Idc (A)	Lmin (μ H)
0	58
1	52
2	45
3	40
4	35
5	31

Electrical data @ 25 $^{\circ}$ C

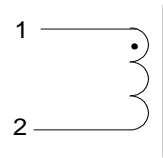


PN : 26212SNV

Mechanical dimensions



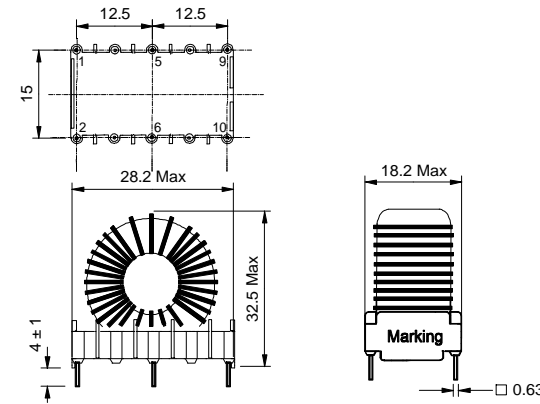
Schematic



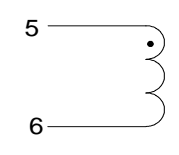
Inductance 1-2
Implantation in holes : 1.2 mm

PN : 26212EE

Mechanical dimensions



Schematic



Inductance 5-6
Blind pins 1-2-9-10
Implantation in holes : 1.2 mm

[See Version BV](#)

[See Version BH](#)