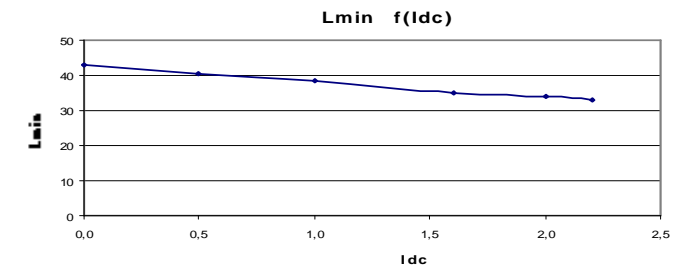


Resistance = 70 mΩ max		10%ΔI	20%ΔI	30%ΔI
Frequency kHz	Ripple Current	0,16	0,32	0,48
	Total losses mW	150	160	160
25	ΔT°C	8	8	9
	Total losses mW	150	170	190
50	ΔT°C	9	10	10
	Total losses mW	160	180	220
75	ΔT°C	9	10	11
	Total losses mW	160	190	250
100	ΔT°C	9	10	13

Electrical data @ 25°C

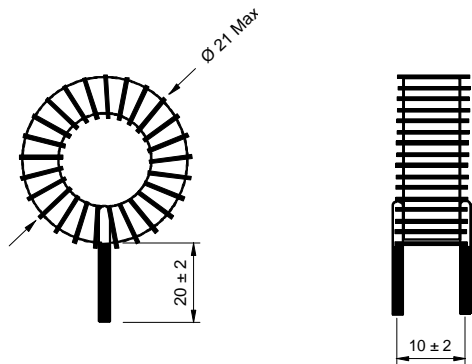
L f(Idc) Inductance Values

Idc (A)	Lmin (μH)
0	43
0,5	41
1	38
1,6	35
2	34
2,2	33

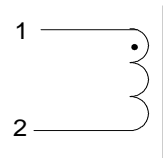


PN : 26208SNV

Mechanical dimensions



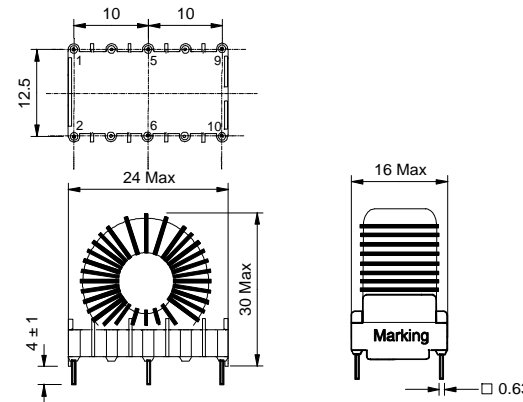
Schematic



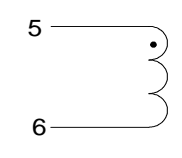
Inductance 1-2
Implantation in holes : 0.8 mm

PN : 26208EE

Mechanical dimensions



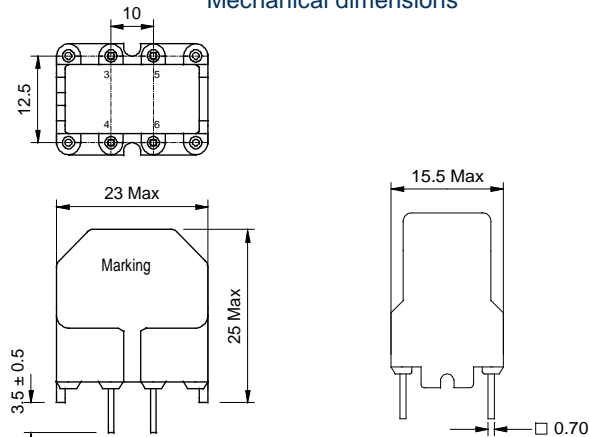
Schematic



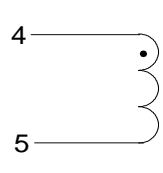
Inductance 5-6
Blind pins 1-2-9-10
Implantation in holes : 1,2 mm

PN : 26208BV

Mechanical dimensions



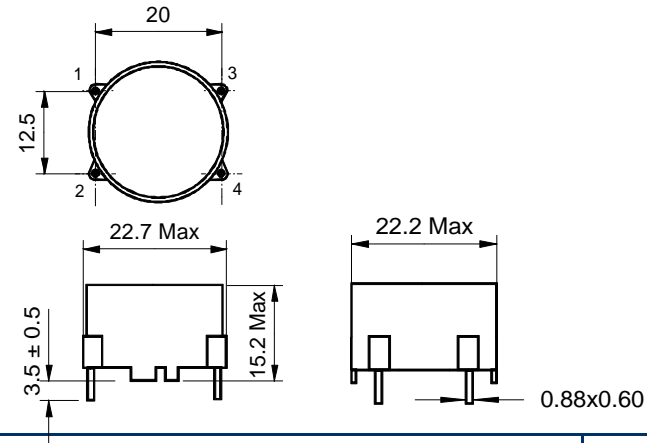
Schematic



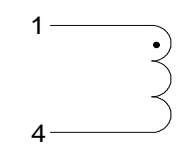
Inductance 4-5
Blind pins 3-6
Implantation in holes : 1,3 mm

PN : 26208BH

Mechanical dimensions



Schematic



Inductance 1-4
Blind pins 2-3
Implantation in holes : 1,3 mm