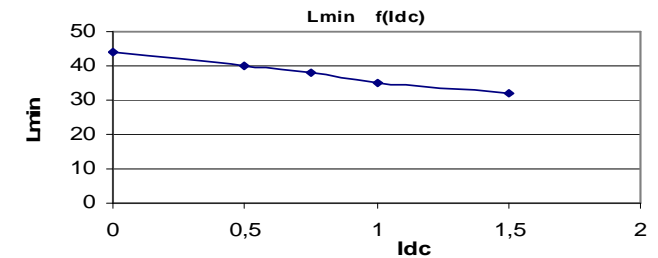


Resistance = 100mΩ max		10%ΔI	20%ΔI	30%ΔI
25	Total losses mW	90	90	100
	ΔT°C	9	9	9
50	Total losses mW	90	100	100
	ΔT°C	9	9	10
75	Total losses mW	90	100	110
	ΔT°C	9	10	11
100	Total losses mW	90	110	120
	ΔT°C	9	10	12

L f(I_{dc}) Inductance Values

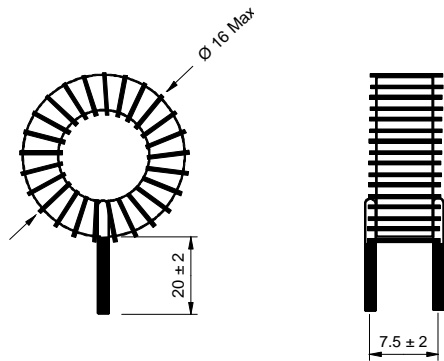
I _{dc} (A)	L _{min} (μH)
0	44
0,5	40
0,75	38
1	35
1,5	32

Electrical data @ 25°C

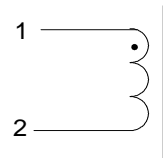


PN : 26206SNV

Mechanical dimensions



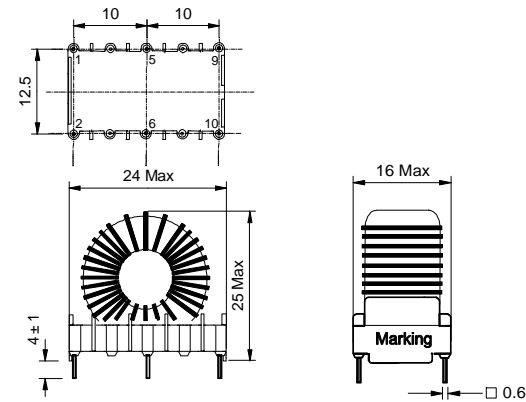
Schematic



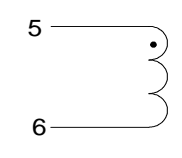
Inductance 1-2
Implantation in holes : 0.7 mm

PN : 26206EE

Mechanical dimensions



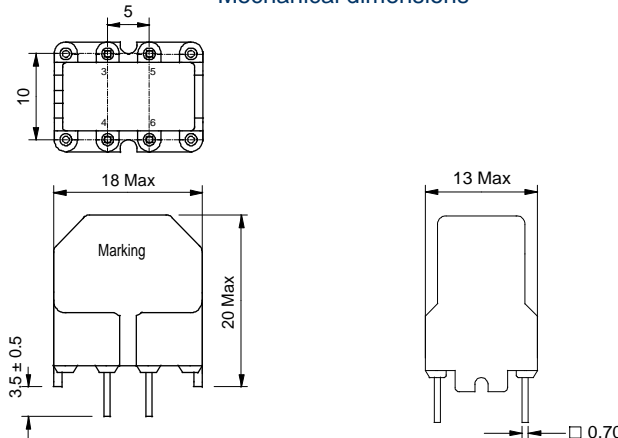
Schematic



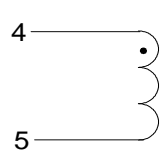
Inductance 5-6
Blind pins 1-2-9-10
Implantation in holes : 1,2 mm

PN : 26206BV

Mechanical dimensions



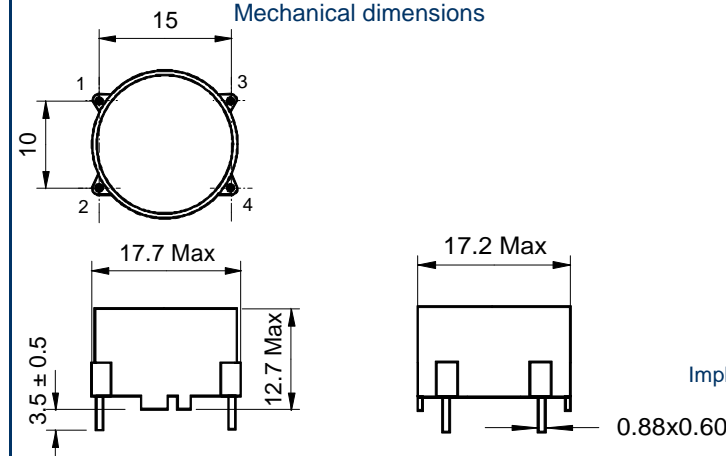
Schematic



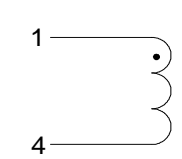
Inductance 4-5
Blind pins 3-6
Implantation in holes : 1,3 mm

PN : 26206BH

Mechanical dimensions



Schematic



Inductance 1-4
Blind pins 2-3
Implantation in holes : 1,3 mm