

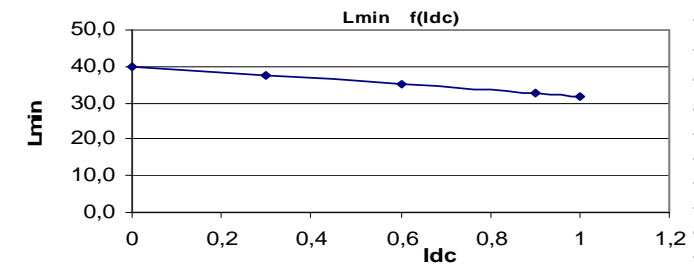
Resistance = 160mΩ max

Frequency kHz	Ripple Current	10%ΔI	20%ΔI	30%ΔI
25	Total losses mW	50	50	50
	ΔT°C	7	7	7
50	Total losses mW	50	50	60
	ΔT°C	7	7	7
75	Total losses mW	50	50	60
	ΔT°C	7	7	8
100	Total losses mW	50	60	60
	ΔT°C	7	7	8

**L f(I<sub>dc</sub>) Inductance Values**

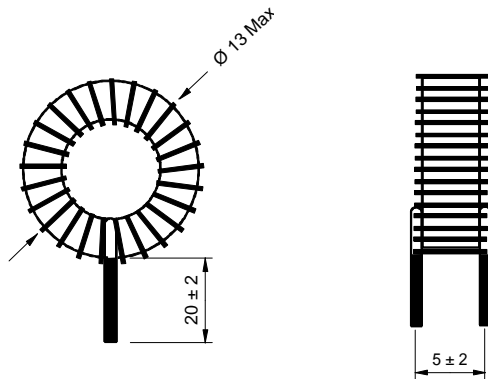
I <sub>dc</sub> (A)	L <sub>min</sub> (μH)
0	39,9
0,3	37,6
0,6	35,2
0,9	32,6
1	31,9

Electrical data @ 25°C

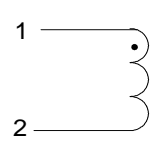


**PN : 26204SNV**

Mechanical dimensions



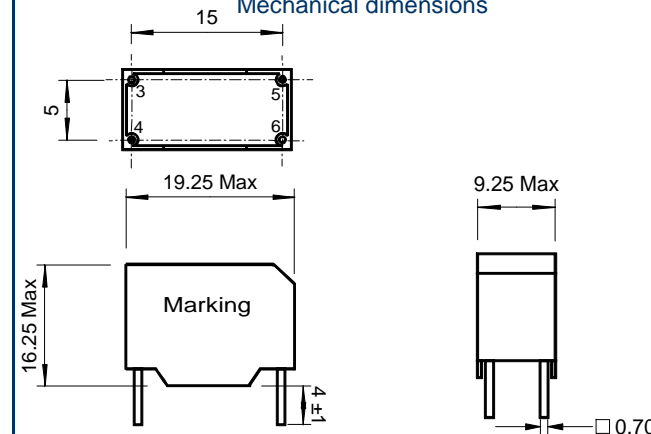
Schematic



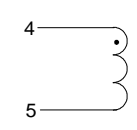
Inductance 1-2  
Implantation in holes : 0.6 mm

**PN : 26204BV**

Mechanical dimensions



Schematic



Inductance 4-5  
Blind pins 3-6  
Implantation in holes : 1,3 mm