

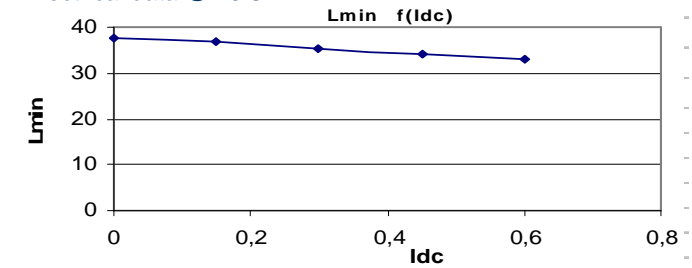
Resistance = 350mΩ max

Frequency kHz	Ripple Current	10%ΔI	20%ΔI	30%ΔI
25	Total losses mW	30	30	30
	ΔT°C	4	4	4
50	Total losses mW	30	30	30
	ΔT°C	4	4	4
75	Total losses mW	30	30	30
	ΔT°C	4	4	4
100	Total losses mW	30	30	30
	ΔT°C	4	4	4

L f(Idc) Inductance Values

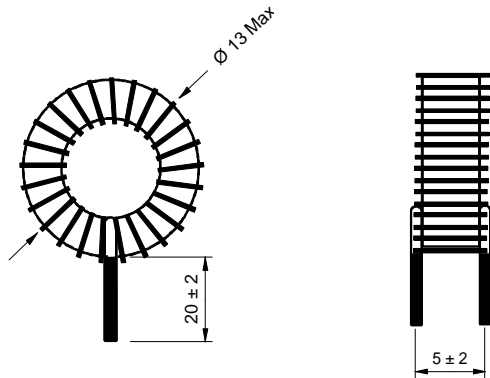
Idc (A)	Lmin (µH)
0	38
0,15	37
0,3	35
0,45	34
0,6	33

Electrical data @ 25°C

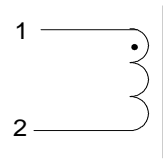


PN : 26202SNV

Mechanical dimensions



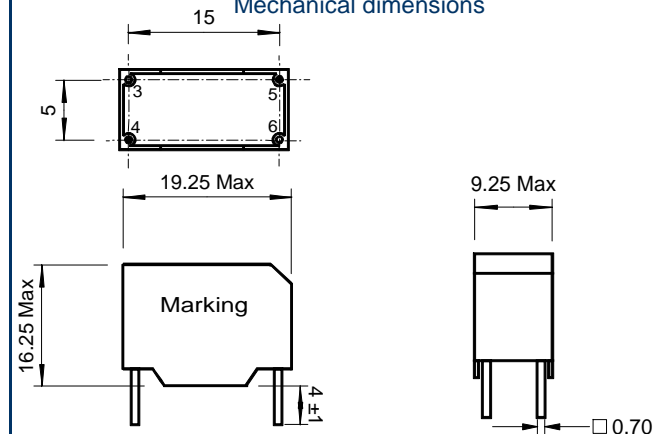
Schematic



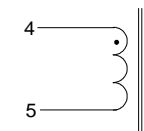
Inductance 1-2
Implantation in holes : 0.5 mm

PN : 26202BV

Mechanical dimensions



Schematic



Inductance 4-5
Blind pins 3-6
Implantation in holes : 1,3 mm