

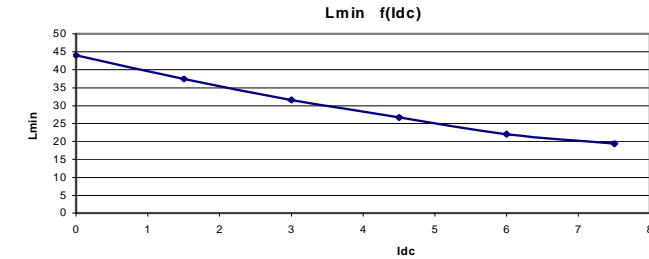
Resistance = 15 m Ω max

Frequency kHz	Ripple Current	10% Δ I	20% Δ I	30% Δ I
25	Total losses mW	530	560	610
	Δ T $^{\circ}$ C	20	21	22
50	Total losses mW	540	620	750
	Δ T $^{\circ}$ C	20	23	27
75	Total losses mW	560	700	920
	Δ T $^{\circ}$ C	21	25	32
100	Total losses mW	580	780	1110
	Δ T $^{\circ}$ C	22	27	37

L f(I_{dc}) Inductance Values

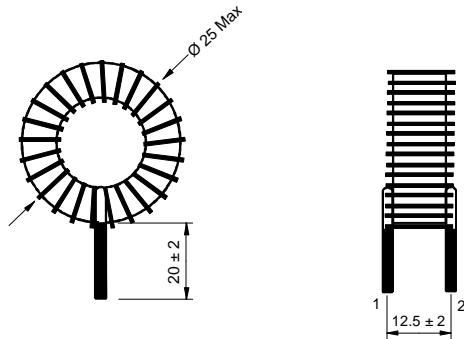
I _{dc} (A)	L _{min} (μ H)
0	44
1,5	37
3	32
4,5	27
6	22
7,5	19

Electrical data @ 25 $^{\circ}$ C

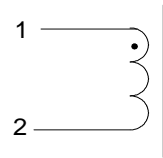


PN : 26164SNV

Mechanical dimensions



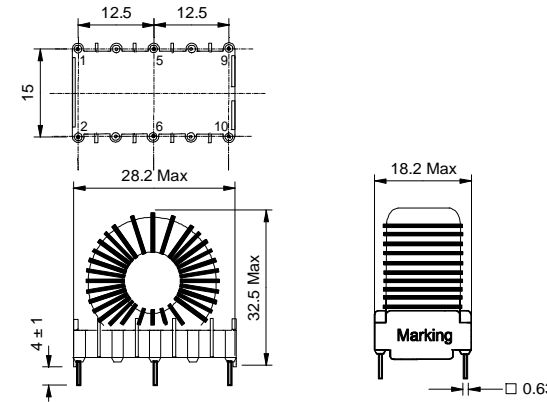
Schematic



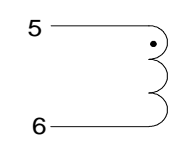
Inductance 1-2
Implantation in holes : 1.4 mm

PN : 26164EE

Mechanical dimensions



Schematic



Inductance 5-6
Blind pins 1-2-9-10
5-6 Implantation in holes : 1,4 mm
1-2-5-9 Implantation in holes : 1,2 mm

[See Version BV](#)

[See Version BH](#)