

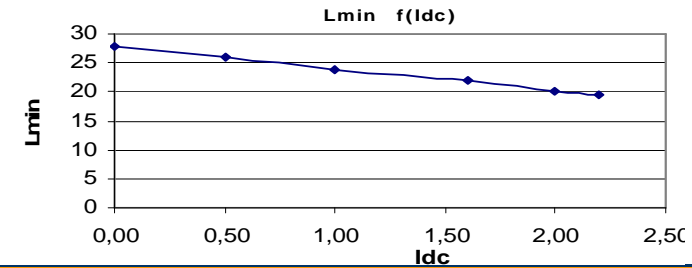
Resistance = 55mΩ max

Frequency kHz	Ripple Current	10%ΔI	20%ΔI	30%ΔI
25	Total losses mW	110	110	120
	ΔT°C	11	11	12
50	Total losses mW	110	120	130
	ΔT°C	11	12	13
75	Total losses mW	110	130	150
	ΔT°C	11	12	14
100	Total losses mW	120	130	160
	ΔT°C	12	13	15

Electrical data @ 25°C

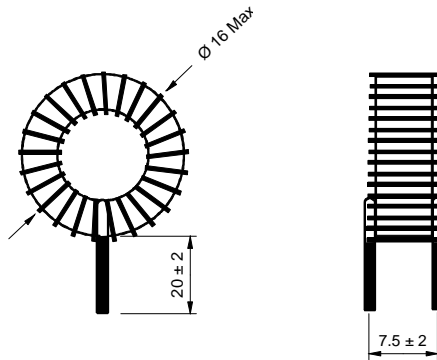
**L f(Idc) Inductance Values**

Idc (A)	Lmin (µH)
0	28
0,5	26
1	24
1,6	22
2	20
2,2	19

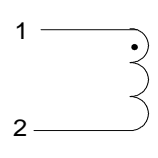


**PN : 26158SNV**

Mechanical dimensions



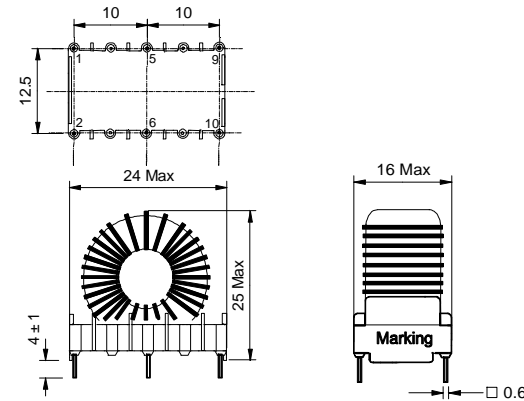
Schematic



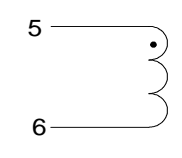
Inductance 1-2  
Implantation in holes : 0.8 mm

**PN : 26158EE**

Mechanical dimensions



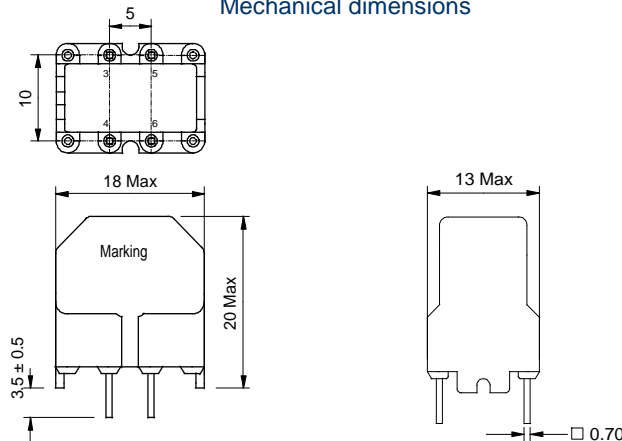
Schematic



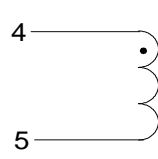
Inductance 5-6  
Blind pins 1-2-9-10  
Implantation in holes : 1,2 mm

**PN : 26158BV**

Mechanical dimensions



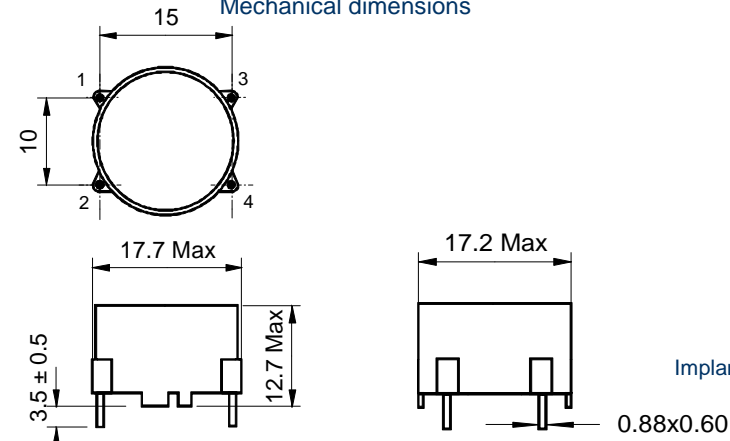
Schematic



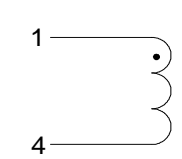
Inductance 4-5  
Blind pins 3-6  
Implantation in holes : 1,3 mm

**PN : 26158BH**

Mechanical dimensions



Schematic



Inductance 1-4  
Blind pins 2-3  
Implantation in holes : 1,3 mm