

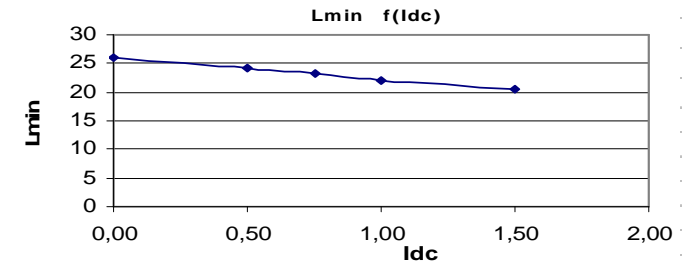
Resistance = 80mΩ max

Frequency kHz	Ripple Current	10%ΔI	20%ΔI	30%ΔI
25	Total losses mW	70	70	70
	ΔT°C	7	7	7
50	Total losses mW	70	70	80
	ΔT°C	7	8	8
75	Total losses mW	70	80	90
	ΔT°C	7	8	8
100	Total losses mW	70	80	90
	ΔT°C	7	8	9

Electrical data @ 25°C

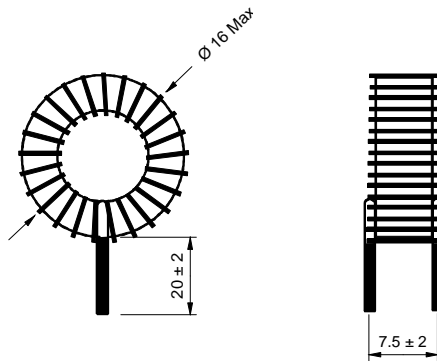
**L f(Idc) Inductance Values**

Idc (A)	Lmin (µH)
0	24
0,5	23
0,75	22
1	22
1,5	21

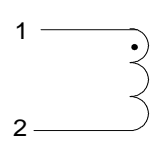


**PN : 26156SNV**

Mechanical dimensions



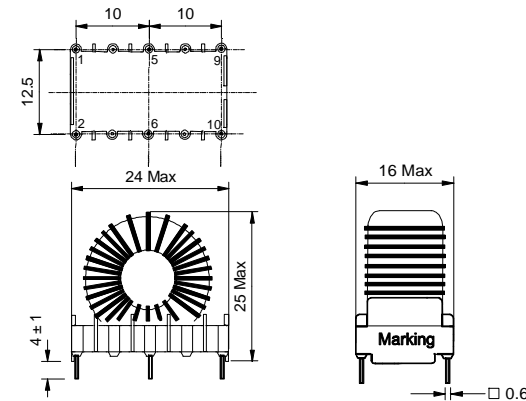
Schematic



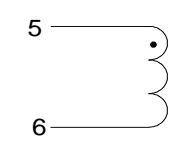
Inductance 1-2  
Implantation in holes : 0.7 mm

**PN : 26156EE**

Mechanical dimensions



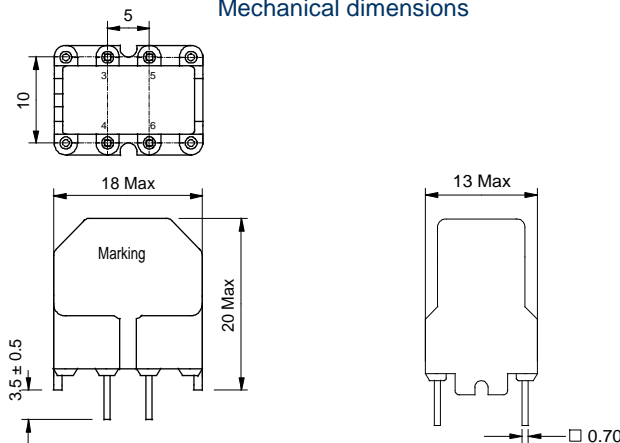
Schematic



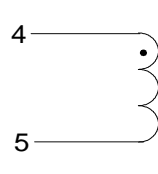
Inductance 5-6  
Blind pins 1-2-9-10  
Implantation in holes : 1,2 mm

**PN : 26156BV**

Mechanical dimensions



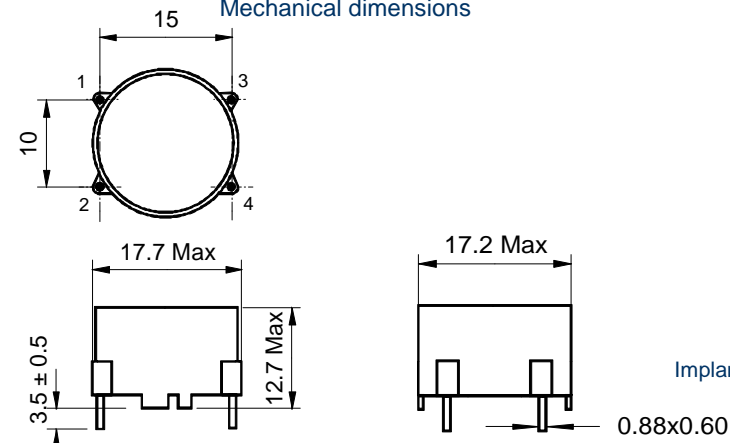
Schematic



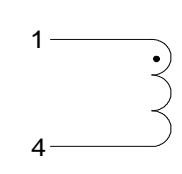
Inductance 4-5  
Blind pins 3-6  
Implantation in holes : 1,3 mm

**PN : 26156BH**

Mechanical dimensions



Schematic



Inductance 1-4  
Blind pins 2-3  
Implantation in holes : 1,3 mm