

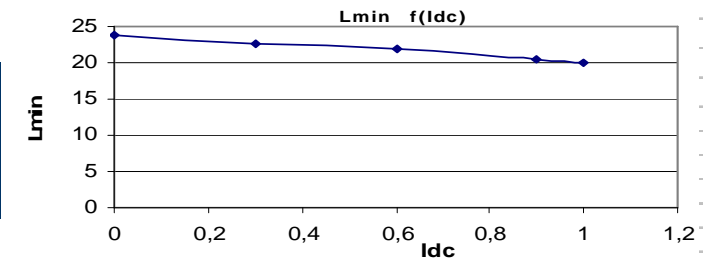
Resistance = 120mΩ max

Frequency kHz	Ripple Current	10%ΔI	20%ΔI	30%ΔI
25	Total losses mW	40	40	40
	ΔT°C	5	5	5
50	Total losses mW	40	40	40
	ΔT°C	5	6	6
75	Total losses mW	40	40	50
	ΔT°C	5	6	6
100	Total losses mW	40	40	50
	ΔT°C	5	6	6

L f(Idc) Inductance Values

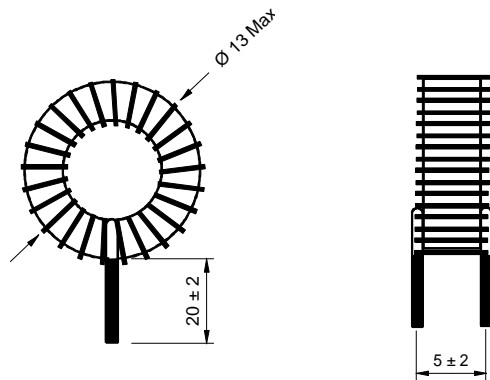
Idc (A)	Lmin (μH)
0	23,8
0,3	22,7
0,6	22
0,9	20,4
1	20,1

Electrical data @ 25°C

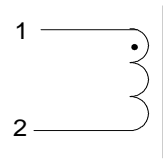


TPE P/N : 26154SNV

Mechanical dimensions



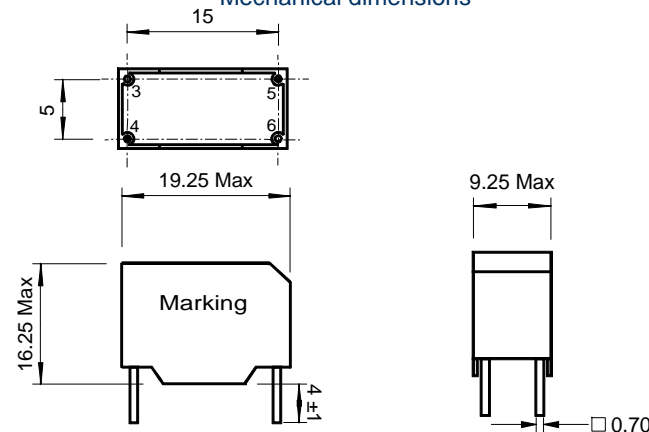
Schematic



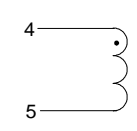
Inductance 1-2
Implantation in holes : 0.5 mm

TPE P/N : 26154BV

Mechanical dimensions



Schematic



Inductance 4-5
Blind pins 3-6
Implantation in holes : 1,3 mm