

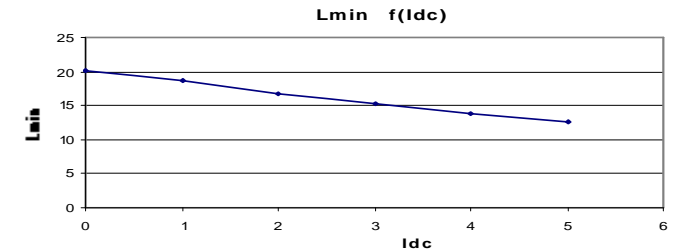
Resistance = 15 m Ω max

Frequency kHz	Ripple Current	10% Δ I	20% Δ I	30% Δ I
25	Total losses mW	200	210	230
	Δ T $^{\circ}$ C	12	12	13
50	Total losses mW	210	240	280
	Δ T $^{\circ}$ C	12	13	15
75	Total losses mW	220	260	340
	Δ T $^{\circ}$ C	12	15	18
100	Total losses mW	220	290	410
	Δ T $^{\circ}$ C	13	16	21

L f(Idc) Inductance Values

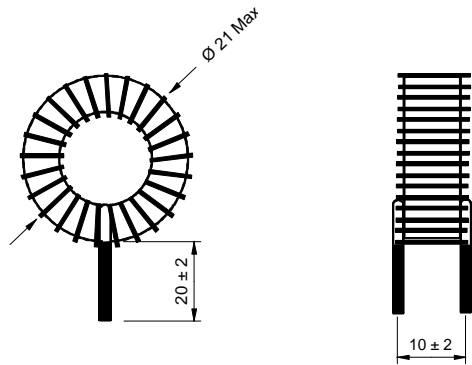
Idc (A)	Lmin (μ H)
0	20
1	19
2	17
3	15
4	14
5	13

Electrical data @ 25 $^{\circ}$ C

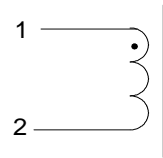


PN : 26112SNV

Mechanical dimensions



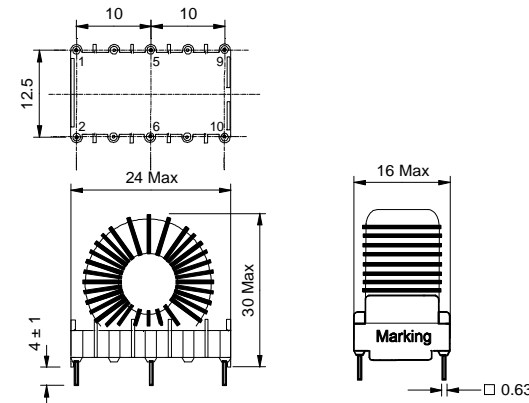
Schematic



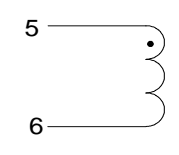
Inductance 1-2
Implantation in holes : 1.2 mm

PN : 26112EE

Mechanical dimensions



Schematic



Inductance 5-6
Blind pins 1-2-9-10
Implantation in holes : 1,2 mm

[See Version BV](#)

[See Version BH](#)