

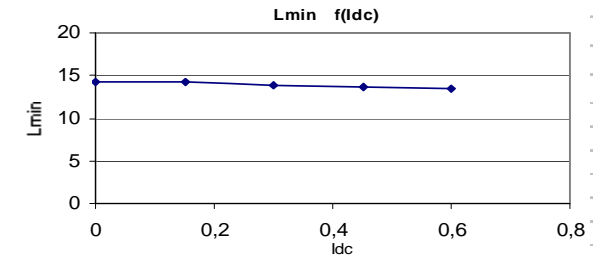
Resistance = 220mΩ max

Frequency kHz	Ripple Current	10%ΔI	20%ΔI	30%ΔI
		0,25	0,5	0,75
25	Total losses mW	20	20	20
	ΔT°C	3	3	3
50	Total losses mW	20	20	20
	ΔT°C	3	3	3
75	Total losses mW	20	20	20
	ΔT°C	3	3	3
100	Total losses mW	20	20	20
	ΔT°C	3	3	3

Electrical data @ 25°C

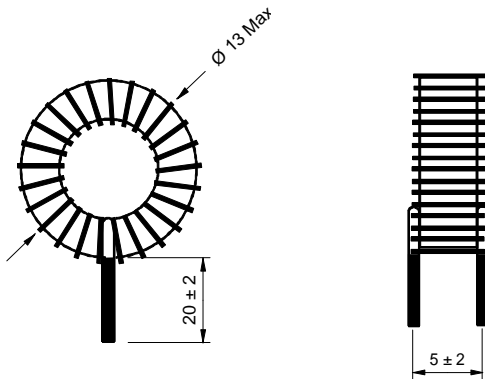
**L f(I<sub>dc</sub>) Inductance Values**

I <sub>dc</sub> (A)	L <sub>min</sub> (μH)
0	14
0,15	14
0,3	14
0,45	14
0,6	13

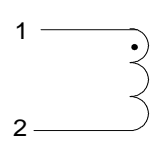


**TPE P/N : 26102SNV**

Mechanical dimensions



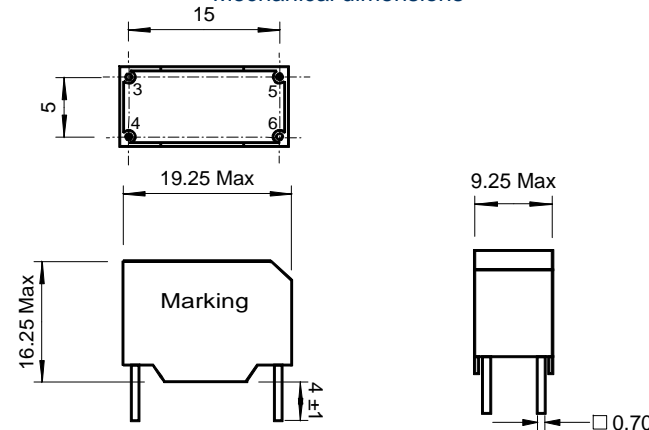
Schematic



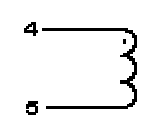
Inductance 1-2  
Implantation in holes : 0.5 mm

**TPE P/N : 26102BV**

Mechanical dimensions



Schematic



Inductance 4-5  
Blind pins 3-6  
Implantation in holes : 1,3 mm