



Tech Power[®]

Components



Current Sense Transformers
Switch Mode Applications

Applications

20 A current sense transformers are designed to be used in switch-mode applications such as :

- Power supplies
- Motor control
- Electronic lighting ballasts



Features

- 50, 100, 200, 300 & 750 turn versions
- Primary current rating: 20A max
- 20kHz - 200kHz frequency range
- Center tapped versions are available
- Fully encapsulated

Standards

- RoHS
- Reach
- Plastic materials meet UL94 V-0 requirements

REACH ✓

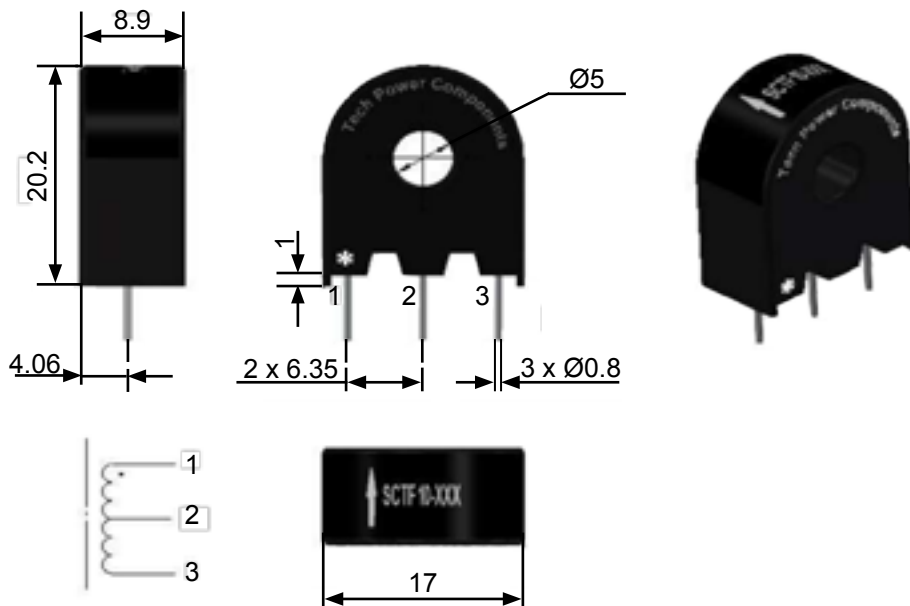


Electrical Characteristics (Ambient Temperature = 25°C)

P/N	Number of turns ±1 turn	Secondary Inductance Pins 1 & 3 mh Min	Secondary DC Resistance Pins 1 & 3 Ω Max	RT to produce $1V_{OUT}/1A_{IN}$ Ω	Product $V_{SEC} * T_{ON}$ VμS Max	Operating Temperature Range	Storage Temperature Range
SCTF10-50	50	5	0.2	50	175	-40°C to +85°C	-40°C to +125°C
SCTF10-100	100	20	1.4	100	350		
SCTF10-200	200	80	2.8	200	700		
SCTF10-300	300	180	8.6	300	1050		
SCTF10-750	750	2350	75	750	2625		
SCTF10-100T	100CT	20	1.4	100	350		
SCTF10-200T	200CT	80	2.8	200	700		
SCTF10-300T	300CT	180	8.6	300	1050		

Mechanical Characteristics

- Arrow designates direction of primary current in phase with pin 1 (identified by * on the box)
- Isolation Pri to Sec: 2,5 KVac min
- Pin 2 is fitted only on center tapped versions



Weight: 5g

Unless otherwise stated, all dimensions in mm ± 0.25

Tech Power[®]

Components

A trademark developed by



Our trade

We produce, design and develop professional electronic applications and provide high added value products and innovative services for this market.

Our vision

In response to the need to take into account societal issues, we want to make a decisive contribution through the creation of new industrial solutions and be the European leader in B2B industrial electronics.



Open Institute is a relationship and exchange platform between the worlds of business, education and the social environment. It is a business incubator for new projects. Open Institute covers following expertises: Monitor technology intelligence - prospective - strategical marketing - research programs.



ZI les Plaines - 39570 Courlaoux - France
Tel: +33 (0)384 252 626 - fax: +33 (0)384 252 610
sales@techpowerelectronics.com
www.techpowerelectronics.com